

[54] **PORTABLE PROGRAMMABLE CALCULATOR DISPLAYING ABSOLUTE LINE NUMBER ADDRESSES AND KEY CODES AND AUTOMATICALLY ALTERING DISPLAY FORMATS**

Primary Examiner—David H. Malzahn
Attorney, Agent, or Firm—Theodore S. Park

[75] Inventor: **Bernard E. Musch**, Palo Alto, Calif.

[73] Assignee: **Hewlett-Packard Company**, Palo Alto, Calif.

[22] Filed: **Dec. 16, 1974**

[21] Appl. No.: **533,430**

[52] U.S. Cl. **235/156; 340/172.5**

[51] Int. Cl.² **G06F 15/04**

[58] Field of Search **235/156, 159, 160, 164; 340/172.5**

[57] **ABSTRACT**

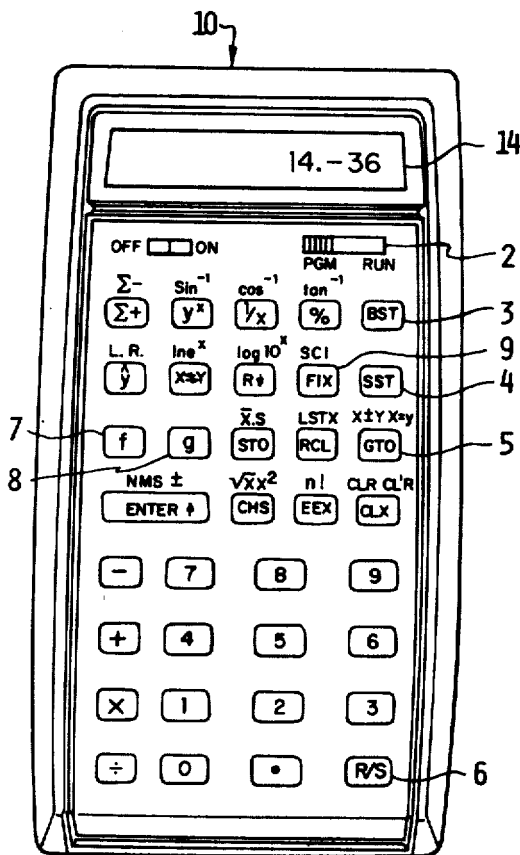
A battery-powered hand-held programmable calculator for performing arithmetic, trigonometric and logarithmic functions and displaying the results thereof is provided with the capability of being fully programmable including branching based on data value. Absolute line number addressing is provided. Program line numbers and the key code associated with an executable step are displayed. The top of the programmable memory is configured as a nonexecutable line corresponding to an automatic stop and all other programmable lines are initially programmed upon start up as being an automatic branch to the top of the memory. Key codes representing a plurality of actuated keys corresponding to a branch instruction are merged to require only one program line in memory.

[56] **References Cited**

UNITED STATES PATENTS

3,588,841	6/1971	Ragen	340/172.5
3,594,734	7/1971	Wang	340/172.5
3,693,162	9/1972	Spangler	340/172.5
3,760,171	9/1973	Wang et al.	235/156
3,839,630	10/1974	Olander et al.	235/156

21 Claims, 7 Drawing Figures



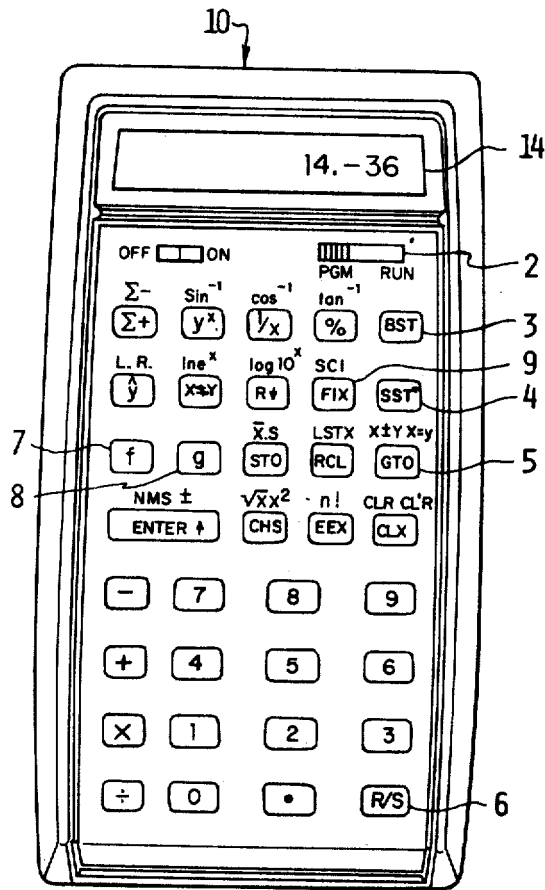


FIGURE 1

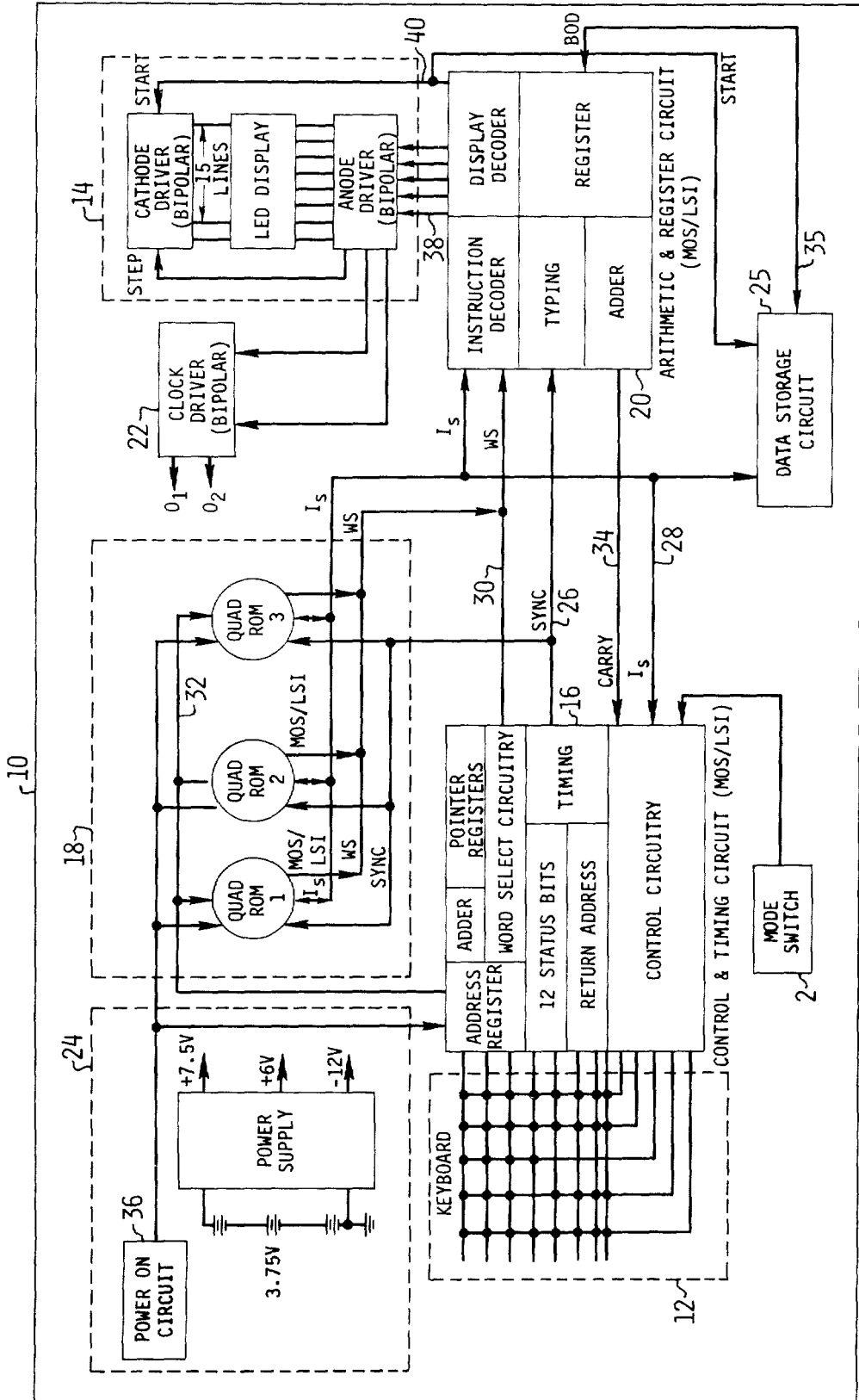


FIGURE 2

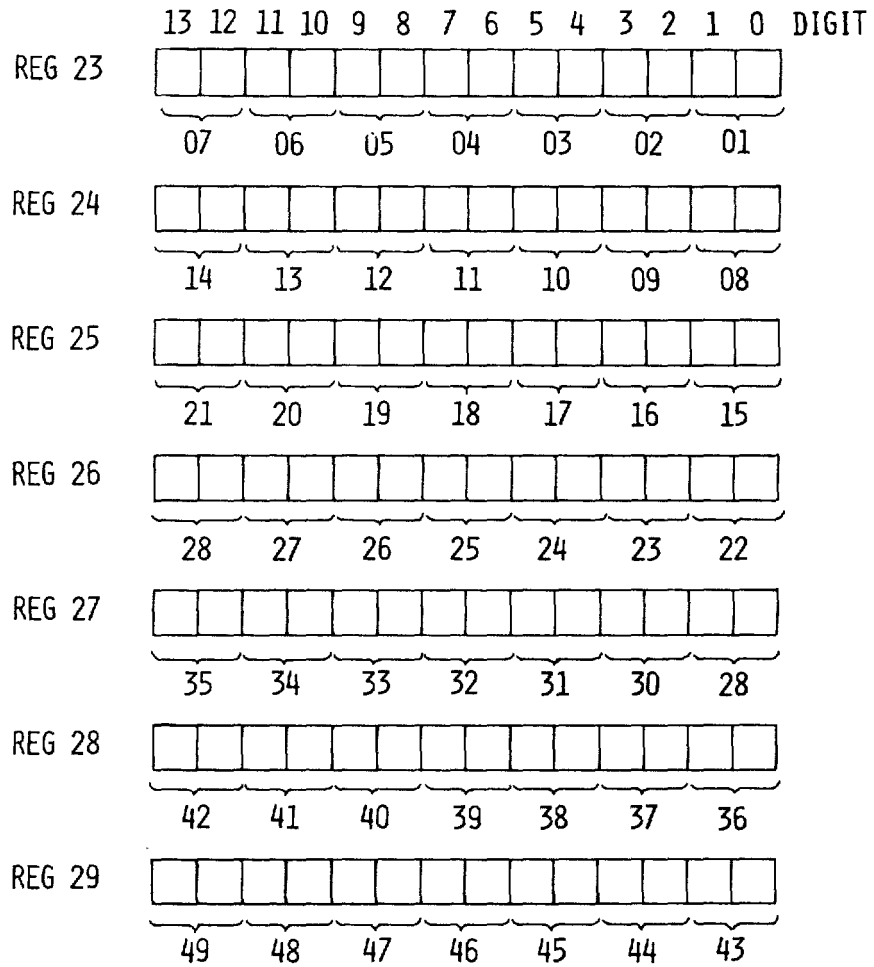


FIGURE 3

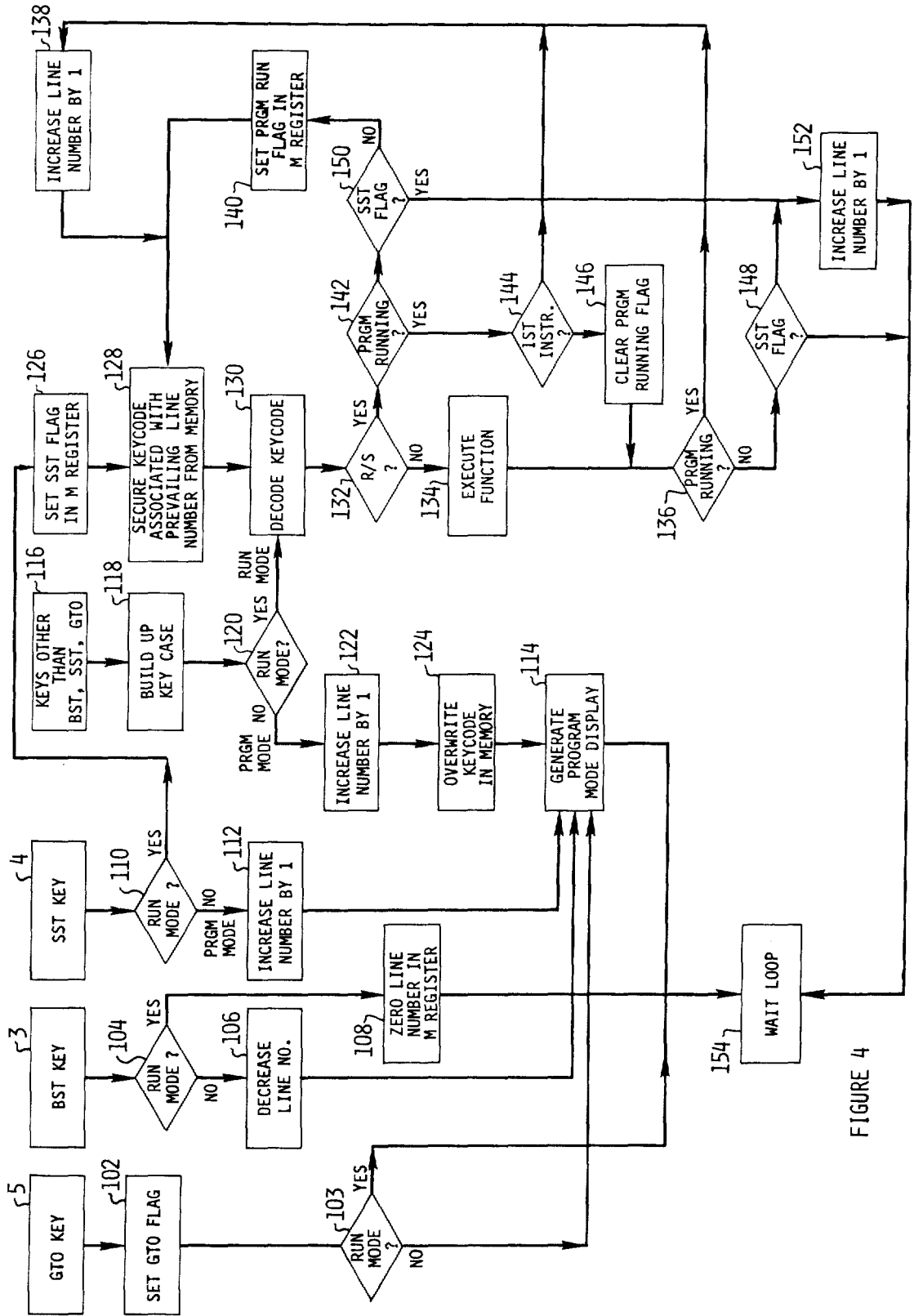


FIGURE 4

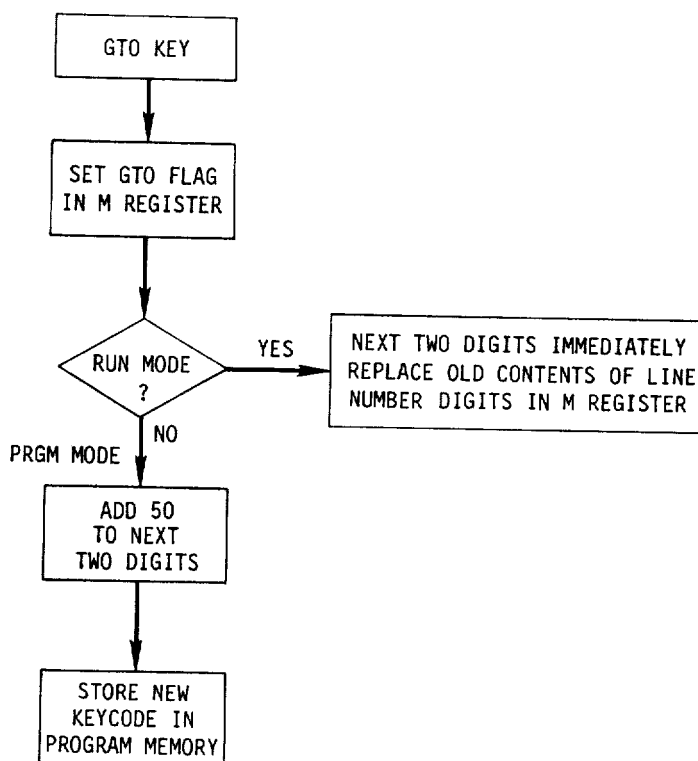


FIGURE 5

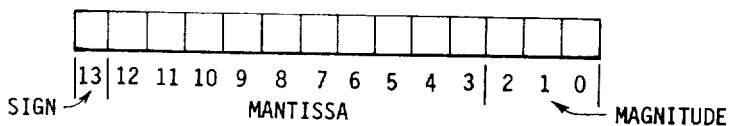


FIGURE 6A

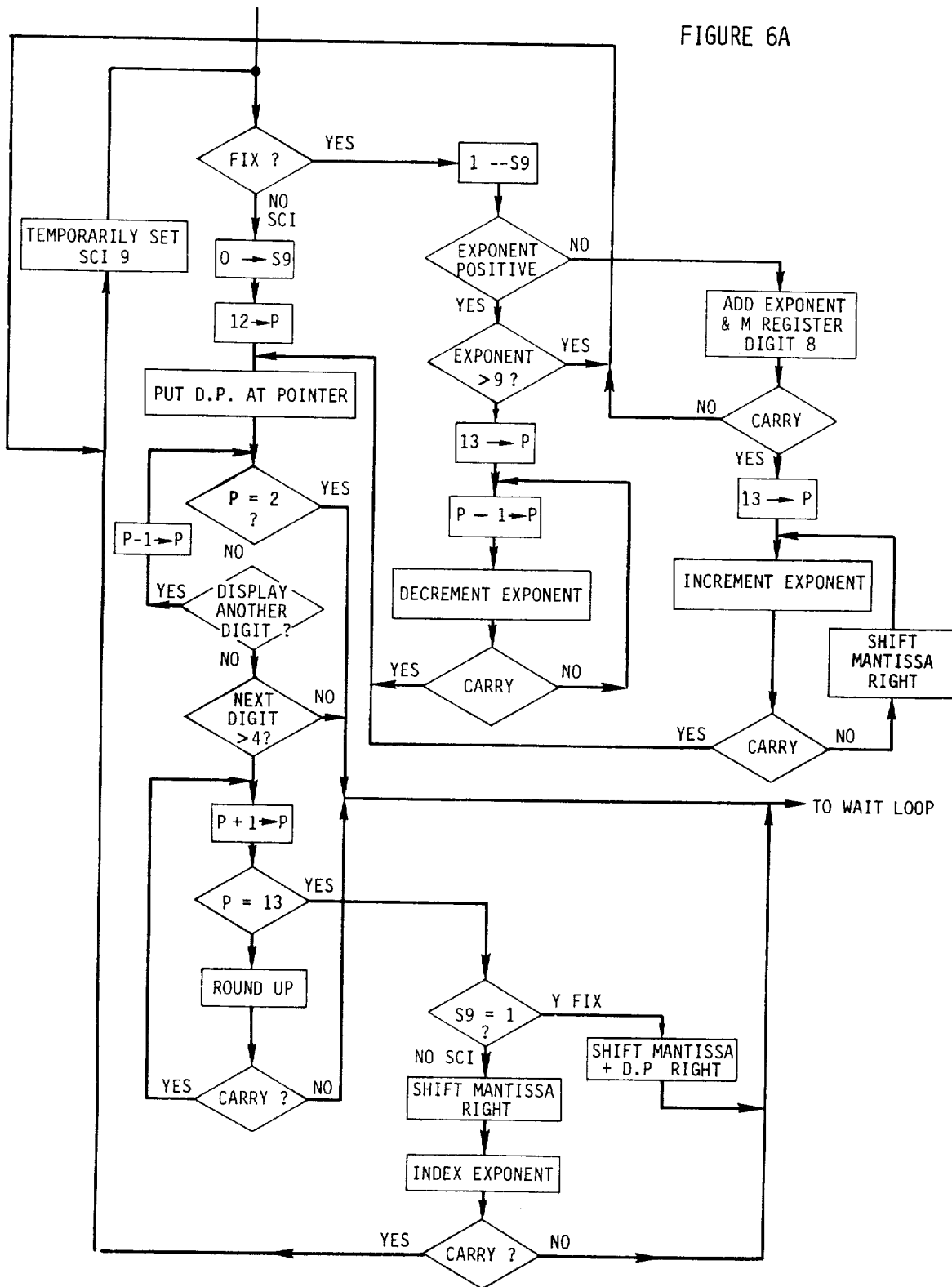


FIGURE 6B

**PORTABLE PROGRAMMABLE CALCULATOR
DISPLAYING ABSOLUTE LINE NUMBER
ADDRESSES AND KEY CODES AND
AUTOMATICALLY ALTERING DISPLAY
FORMATS**

BACKGROUND OF THE INVENTION

This invention relates generally to calculators and more particularly to programmable electronic calculators in which keyboard operations become program instructions. In this particular type of calculator no special language is required. When a key is pressed one program step is completed. Programmable electronic calculators generally utilize memories which enable them to store instructions and data for repetitive and iterative solution. In order to enter the program into memory the user depresses the calculator keys in a given sequence. The result of each sequence step may be displayed for the convenience of the user as he progresses through his calculation. The key code for each program step may also be displayed. Key codes generally are alphanumeric representations of the keys on the keyboard. If the user wishes to modify or edit his program after initial entry into memory he must precisely determine to which key he should return in order to implement the change. To make that determination for calculators constructed according to the prior art, the user had to refer to a separate machine unique association table and a program to determine the specific key to depress relative to a particular program step.

For programming convenience key codes and program line numbers should be easily interpreted by a user. An object of this invention is to improve the ease of program debugging and editing by introducing a programmable calculator which displays a key position on the keyboard and absolute program line numbers. A further object of this invention is to provide a calculator having a convenient way for a user to get to the top of memory and eliminate the need for an AND key or a RETURN key. The invention provides a programmable calculator having preprogrammed branch instructions to the top of memory.

A further object of this invention is to provide a calculator wherein a user can program a branch instruction to another place in the program by merely actuating a single key and entering a line number address of the branch destination. Another object is to increase the utilization of available program memory by merging key codes representing a plurality of actuated keys corresponding to a branch instruction.

A further object is to provide an improved error display wherein the invention displays and flashes the contents of a register within an operational stack.

Another object is to provide an improved display wherein the invention automatically changes its format when in underflow or overflow.

DESCRIPTION OF THE DRAWINGS

FIG. 1 is a front view of a calculator according to the preferred embodiment of the present invention.

FIG. 2 is a block diagram of the calculator of FIG. 1.

FIG. 3 is a representation of the contents of seven storage registers used as a program memory in the calculator of FIG. 1.

FIG. 4 shows a flow diagram for the programming features of the calculator of FIG. 1.

FIG. 5 shows a flow diagram for implementing branch instructions in the calculator of FIG. 1.

FIGS. 6A and 6B illustrate a number to be displayed in normalized form and a flow diagram of a display generating routine providing an automatic change in display format.

**DESCRIPTION OF THE PREFERRED
EMBODIMENT**

Referring to FIGS. 1 and 2, there is shown a pocket-size electronic calculator 10 including a keyboard input unit 12 for entering data and instructions into the calculator and a seven-segment LED output display unit 14 for displaying each data entry and the results of calculations performed by the calculator. As shown in FIG. 2, calculator 10 also includes an MOS control and timing circuit 16, an MOS read-only memory circuit 18 (including QUAD ROM's 1, 2 and 3), an MOS arithmetic and register circuit 20, a bipolar clock driver 22, a solid state power supply unit 24, and MOS auxiliary data storage circuit 25.

The MOS circuits are two-phase dynamic MOS/LSI circuits with low thresholds allowing compatibility with TTL bipolar circuits and allowing extremely low-power operation (less than one hundred milliwatts for all three circuits). They are organized to process fourteen-digit BCD words in a digit-serial, bit-serial manner. The maximum bit rate or clock frequency is 196 kilohertz, which gives a word time of 280 microseconds (permitting a floating point addition to be completed in 60 milliseconds).

Control and timing circuit 16, read-only memory circuit 18, arithmetic and register circuit 20, and data storage circuit 25 are tied together by a synchronization (SYNC) bus 26, an instruction (I_n) bus 28, a work select (WS) bus 30, an instruction address (I_a) line 32, and a carry line 34. All operations occur on a fifty-six bit (b_0 - b_{55}) word cycle (fourteen four bit BCD digits). The timing sequence for the interconnecting busses and lines 26-34 are as shown in FIG. 3 of U.S. Pat. No. 3,863,060 filed Oct. 30, 1972, entitled "General Purpose Calculator with Capability for Performing Interdisciplinary Business Calculations" by Francé Rodé, et al.

The SYNC bus 26 carries synchronization signals from control and timing circuit 16 to QUAD ROMS 1, 2 and 3 in read-only memory circuit 18 and to arithmetic and register circuit 20 to synchronize the calculator system. It provides one output each word time. This output also functions as a tenbit wide window (b_{45} - b_{54}) during which I_n bus 28 is active.

The I_n bus 28 carries ten-bit instructions from the active QUAD ROM in the read-only memory circuit 18 to the other QUAD ROM's, control and timing circuit 16, arithmetic and register circuit 20, and auxiliary data storage circuit 25, each of which decodes the instructions locally and responds to or acts upon them if they pertain thereto and ignores them if they do not. For example, the ADD instruction affects arithmetic and register circuit 20 but is ignored by control and timing circuit 16. Similarly, the SET STATUS BIT 5 instruction sets a status flip-flop in control and timing circuit 16 but is ignored by arithmetic and register circuit 20.

The actual implementation of an instruction is delayed one word time from its receipt. For example, an instruction may require the addition of digit 2 in two of the registers in arithmetic and register circuit 20. The

ADD instruction would be received by arithmetic and register circuit 20 during bit times b_{45} - b_{54} of word time N and the addition would actually occur during bit times b_8 - b_{11} of word time N+1. Thus, while one instruction is being executed the next instruction is being fetched.

The WS bus 30 carries an enable signal from control and timing circuit 16 or one of the QUAD ROM's in a read-only memory circuit 18 to arithmetic and register circuit 20 to enable the instruction being executed thereby. Thus, in the example of the previous paragraph, addition occurs only during digit 2 since the adder in the arithmetic and register circuit 20 is enabled by WS bus 30 only during this portion of the word. When WS bus 30 is low, the contents of the registers in arithmetic and register circuit 20 are recirculated unchanged. Three examples of WS timing signals are shown in FIG. 3 of prior filed, commonly owned and allowed U.S. Pat. Ser. No. 3,863,060. In the first example, shown in said patent application, digit position 2 is selected out of the entire word. In the second example, the last eleven digits are selected. This corresponds to the mantissa portion of a floating point word format. In the third example, the entire word is selected. Use of the word select feature allows selective addition, transfer, shifting or comparison of portions of the registers within arithmetic and register circuit 20 with only one basic ADD, TRANSFER, SHIFT, or COMPARE instruction. Some customization in the QUAD ROM word select fields is available via masking options.

The I_a line 32 serially carries the addresses of the instructions to be read from the QUAD ROM's. These addresses originate from control and timing circuit 16, which contains an instruction address register that is incremented each word time unless a JUMP SUBROUTINE or a BRANCH instruction is being executed. Each address is transferred to ROM's during bit times b_{19} - b_{28} and is stored in an address register of each ROM. However, only one QUAD ROM is active at a time, and only the active QUAD ROM responds to an address by outputting an instruction on the I_r line 28.

The carry line 34 transmits the status of the carry output of the adder in arithmetic and register circuit 20 to control and timing circuit 16. The control and timing circuit uses this information to make conditional branches, dependent upon the numerical value of the contents of the registers in arithmetic and register circuit 20.

A BCD input/output line 35 interconnects data storage circuit 25 and the C register of arithmetic and register circuit 20. This line always outputs the contents of the C register of arithmetic and register circuit 20 unless a specific instruction to input to the C register of the arithmetic and register circuit is being executed.

Control and timing circuit 16 is organized to scan a five-by-eight matrix of switches in search of an interconnection that designates actuation of a key. Any type of metal-to-metal contact may be used as a key. Key bounce problems are overcome by programmed lockouts in the key entry routine. Each key has an associated six-bit code.

A power on circuit 36 in power supply unit 24 supplies a signal forcing the calculator to start up in a known condition when power is supplied thereto. Power is supplied to the calculator when the on-off switch of keyboard input unit 12 (see FIG. 1) is moved to the ON position.

The primary outputs of the calculator are five output lines 38 connected between a display decoder of arithmetic and register circuit 20 and an anode driver of output display unit 14. Data for a seven-segment display plus a decimal point is time-multiplexed onto these five output lines. A start line 40 is connected from the display decoder of arithmetic and register circuit 20 to the auxiliary data storage circuit 25 and a cathode driver of output display unit 14 and indicates when the digit 0 occurs.

A mode switch 2 is provided having a program and a run position. When switch 2 is in program position, an input line to the control and timing circuit 16 is grounded. This sets one of the 12 internal status bits. The status of this status bit is interrogated by the microprocessor and the key code which has been generated is either stored in the appropriate location in digital storage circuit 25 or decoded and executed by arithmetic and register circuit 20.

The Control and Timing Circuit 16, Read Only Memory Circuit 18, Arithmetic and Register Circuit 20, Clock Driver 22, Display Unit 14, Keyboard 12, LED Display, Selected Instruction Sets and their operation are described in detail in commonly owned, and allowed U.S. Pat. Ser. No. 3,863,060 entitled "General Purpose Calculator with Capability for Performing Interdisciplinary Business Calculations" filed on Oct. 30, 1972, by France' Rode', et al. Said patent is fully incorporated herein by reference.

Referenced U.S. Pat. Ser. No. 3,863,060 describes a nonprogrammable business calculator having seven registers A-F and M, as shown for example in FIG. 11 of said patent. In contrast, the preferred embodiment of the instant application has 37 56-bit registers. Each of these registers is capable of containing 14 BCD digits. The 37 registers (A-F, M, and 30 storage registers) can be divided into four groups: the working registers A, B and C with C also being the bottom register of a four register operational stack; the next three registers D, E and F in the stack; 30 separate storage registers within data storage 25 and the M register which is put to use to maintain status information in addition to that maintained by 12 status bits internal to the control and timing circuit 16. The structure and operation of a stack formed by registers C, D, E and F are fully described in reference U.S. Pat. Ser. No. 3,863,060 and further described in U.S. Pat. No. 3,781,820 entitled PORTABLE ELECTRONIC CALCULATOR filed on May 30, 1972, by David S. Cochran, et al. and issued on Dec. 25, 1973. Registers C, D, E and F represent an operational stack. Registers A and B are the working registers throughout which various algorithms are implemented. The A and B registers also provide the information which is decoded into signals for the display drivers of display unit 14. The M register is of the same structure as the single storage register employed in U.S. Patent Application Ser. No. 3,863,060 but in the preferred embodiment the data storage registers within data storage circuit 25 provide ample supplementary storage and the M register manages status information in addition to that maintained by 12 status bits internal to Control and Timing Circuit 16. The M register stores information such as which angular format is in effect, which display format is in effect and the state of programming affairs, for example, whether the function is being executed from the keyboard as a result of executing a run stop command or as a result of a single step instruction as further described hereinafter.

ter. Digit positions 4 and 3, the least significant mantissa digits of the M register, contain the two digits of the current line number of program memory.

Referring to FIG. 3 there is shown a representation of the contents of seven registers 23 through 29 within data storage 25. If a key other than BST 3, SST 4, or GTO 5 is pressed, a microprogram stored in ROM 18 transfers control to a portion of the read-only memory which generates a two digit key code which is built up into the exponent field of the C register. These key codes match the matrix location of the key on the keyboard. An indexing scheme for directly associating displayed key codes with the physical position of non-numeric or the identity of digit keys contained on a key-board is fully described in U.S. Pat. No. 3,855,461 entitled CALCULATOR WITH KEY CODE ASSOCIATION AND DISPLAY FEATURES by Richard Kent Stockwell, et al. issued on Dec. 17, 1974. In the preferred embodiment the key codes generally match the matrix location of the key on the keyboard in a row-column configuration. The key code list for the preferred embodiment is:

Key	Key Code	Key	Key Code
$\Sigma+$	11	-	48
y^x	12	+	38
1/x	13	\times	28
%	14	\div	18
\wedge y	21	.	16
$x \rightleftharpoons y$	22	R/S	15
R \downarrow	23	0	00
FIX	24	1	01
f	31	2	02
g	32	3	03
STO	33	4	04
RCL	34	5	05
ENTER \uparrow	41	6	06
CHS	42	7	07
EEX	43	8	08
CLX	44	9	09

The f and g keys are prefix keys whose function is as described in referenced U.S. Pat. No. 3,855,461.

Exceptions to the row-column matrix key code are the digit keys which have key codes matching the digit and the keys -, +, \times , \div , ., and R/S key 6.

Following the build up of the key code the position of multi-position switch 2 is implemented by a microcode in ROM 18 and the flow of the program is as shown in FIG. 4.

Referring to FIG. 4, in the routine to display the key codes, the nines complement of the key code is taken before it is displayed if the least significant digit is greater than or equal to 5 and the most significant digit is not equal to 0. This maintains the matrix row-column rule and key codes 50-99 are reserved for merged GO TO's as described hereafter.

Referring to FIG. 5, a flag is set and the next two digits which are pressed become the destination of a branch instruction in a program when the GO TO key 5 is pressed. If switch 2 is in a run position these two digits immediately replace the old line number digits stored in the M register. If switch 2 is in a program position, 50 is added to the two digits and the new key

code is placed in program memory. For example GO TO 00 has key code 50; GO TO 05 has key code 55; GO TO 46 has key code 96; etc.

The routine to display the key codes subtracts 50 from the key code and supplements the display by lighting a minus sign in the exponent sign field if the most significant digit is greater than or equal to 5, thereby indicating a branch instruction with the minus sign.

In the process of decoding a key code, if 1 has been subtracted from the tens digit 5 times and a carry has not been detected, the key code is a GO TO and the remaining key code is the destination line number which immediately replaces the old line number digits in the M register.

Referring to FIG. 4, the program is begun by setting status information in the M register by actuating the R/S key 6 from the keyboard. The key code associated with the prevailing line number is secured from program memory, placed in the exponent field of the M register and the function is decoded and executed.

When the SST key 4 is pressed a flag is set in the M register. If switch 2 is in program position, the line number is increased by one and control branches to a routine which generates the program mode display. Only the key code associated with the prevailing line number is executed if switch 2 is in run mode.

The line number is decreased by one and control branches to the routine which generates the program mode display when the BST key 3 is pressed while switch 2 is in the program position. If switch 2 is in run mode the line number in the M register is zeroed. This enables a user to transfer control to line 00 by pressing only one key while in the run mode.

Whenever a line number becomes 50 or 99 by adding 1 to 49 or subtracting 1 from 00, it is readjusted to 00 by the program. Also any time program control is transferred to line 00 in a running program, program execution stops.

Each state of program memory contains a 50 when the calculator is turned on, representing a GO TO 00. This enables a user upon keying in a simple program to have control automatically branch to line 00 after completion of the last program step. The program stops and is ready to be run again. This precludes the requirement for an END key or a RETURN key or some other program terminator key.

Referring to FIG. 1, a user programs a conditional branch instruction by actuating an f key 7 or a g key 8 from the keyboard. Status bits generated by actuating an f key 7 or a g key 8 create flags which preclude the calculator from completing a branch if conditions corresponding to the key actuated are not met. For example, actuation of the f prefix key 7 followed by actuation of GTO key 5 corresponds to X less than or equal to Y and actuation of the g prefix key 8 followed by actuating GTO key 5 corresponds to X = Y. The branch will be completed only if a condition indicated is true. When the condition is not true, the line number indexes by one if the calculator is executing a program or if a user is actuating a single step series. If a conditional branch is attempted from the keyboard and the condition is not true, then the line number remains unchanged.

A user begins to program the calculator by sliding the switch 2 to PRGM. A user will see 00. in the display.

Pressing (SST) key 4 displays 01. -00

Pressing (SST) key 4 again displays 02. -00

Pressing **(SST)** key 4 again displays 03. -00 The number on the left is a program step number (or line number). SST stands for single step, and by repeatedly pressing SST key 4 a user steps through the contents of the program memory one line at a time.

Pressing **(BST)** key 3 displays 02. -00

Pressing **(BST)** key 3 again displays 01. -00

Pressing **(BST)** key 3 again displays 00. BST stands for backstep.

The preferred embodiment has fifty addressable line numbers labeled 00. to 49. If the first digit of the GTO address is 5 or greater, the GTO is ignored.

All lines initially have -00 in them except line 00 since the -00 is the actual program instruction contained in each line. Line 00. is the "top of the memory", and as such cannot contain an instruction. A user can easily transfer control to line 00. with the GTO (GO TO) key 5.

Assume a user wishes to write a program that computes the length of the hypotenuse of a right triangle using the Pythagorean Theorem. The theorem says that $c^2 = a^2 + b^2$ or $c = \sqrt{a^2 + b^2}$. The user translates this formula into keystrokes taking advantage of the operational stack.

Referring to FIG. 1 and assuming that a and b are in the X and Y registers, the correct keystrokes are

g } **CHS**) x²

x \rightleftarrows y

g } **CHS**) x²

+

f } **CHS**) x

The **f** and **g** keys actuated in this sequence perform the function of prefix keys as fully described in commonly owned U.S. Patent Application Ser. No. 425,341 entitled "Calculator Having Merged Key Codes" filed on Dec. 17, 1973, by Thomas E. Osborne, et al.

A user keys these steps in the program memory with the switch in PRGM mode and the program pointer (line number in the display) at 00.

Key Depressed	Display
Press g	01. 32
Press CHS	02. 42
Press x \rightleftarrows y	03. 22
Press g	04. 32
Press CHS	05. 42
Press +	06. 61
Press f	07. 31
Press CHS	08. 42

The numbers 32, 42, etc., following the displayed line number are the two digit key codes associated with the series of keys pressed: 32 for **g**, 42 for **CHS** etc. A user easily makes the association by locating the key on the keyboard assuming that the code is rc (row column) as

hereinbefore described. In other words, **g** is 32, third row (from the top), second column (from the left). The exception to this rule is the digit keys, which have the code Od (*d*=digit), 0 is 00, 1 is 01, etc.

A user terminates the program with a **(R/S)**. Pressing **(R/S)** displays 09. 84.

R/S stands for RUN/STOP. When pressed from the keyboard (in RUN mode) the program begins running. When the R/S key code is encountered in a running program, the program stops, and the calculator displays the contents of the X register. When R/S is pressed program execution begins with the line at which the program pointer is located.

A user knows where the program pointer is by switching to PRGM. For example, by switching to PRGM 09. 84. is displayed thereby indicating the program pointer is at line 09. To execute the program a user must get to the top of memory. By switching to RUN and pressing **(GTO) 0 0**, keying in some data, as, for example, 3 **(ENTER) ↑** 4 and pressing **(R/S)** a user will see 5.00, the hypotenuse of a 3-4-5 right triangle.

displaying, respectively, the line where the program stopped and where the point currently is.

If a user wants to run the program again he must get to top of memory again. Flipping to RUN, pressing **(GTO) 0 0**, keying in new data, 5 **(ENTER) ↑** 12 **(R/S)** a user sees 13.00, the hypotenuse of a 5-12-13 right triangle.

A user does not have to press **(GTO) 0 0** every time he wants to run a program with new data. Using the **(GTO)** key is only one way of doing it. Another way is to press **(BST)** in RUN mode. Pressing BST in run mode does two things:

b. It clears any prefix keys which may have been pressed.

This is convenient, if, for example, a user has inadvertently pressed a prefix key. The easiest way of getting back to the top of program memory after a user has finished executing is to include a programmed **(GTO) 0 0** instruction at the end of the program and let the program move the pointer.

When a program is keyed into the calculator the contents of each line are replaced with a new key code one line at a time, each key code being placed into a line one line downstream from the one in the display when a key is pressed so a user can see each step as he keys in his program.

Therefore, in order to change, for example, line 37 a user presses **(GTO) 3 7** in RUN mode. By flipping switch 2 to PRGM, 37. -00 is displayed. To change line 37 to a R/S, for example, **(R/S)** is pressed and 37. 84. is displayed. If a user wishes to change the program to transfer control to line 37 after it has computed the hypotenuse example given hereinabove, for example he does the following:

Flips to RUN. Presses **(GTO) 0 0**.
Flips to PRGM. Sees 09. 84, the old R/S instruction.
Presses **(BST)** and sees 08. 42.
To make line 09 a GTO 37, a user presses **(GTO)** and sees 09 -
presses **3** and sees 09 -3
presses **7** and sees 09 -37

Line 09 now contains the complete 3 KEYSTROKE instruction GTO 37. The sign indicates that the instruction is a GO TO and the 37 is the line number of the destination.

The -00's originally observed are one line GTO 00 instructions. When a user first turns the calculator on every instruction is a GTO 00. When a user writes his first program, the last line will always be followed by a GO TO 00. This transfers control to the top of memory automatically.

Executing line 00. in a program causes the calculator to stop. Line 00. acts as if it has a permanent R/S instruction programmed in it.

The program example as now written computes a hypotenuse, jumps to line 37, and stops (because line 37 contains a R/S).

To change the GTO 37 in line 09 to GTO 00 a user switches to RUN, presses (GTO) (0) (8), switches to PRGM, presses GTO (0) (0) and sees 09.-00. A user runs his program as many times as he wants with fresh data just by keying in data, (R/S), data, (R/S), data, (R/S), etc.

With switch 2 in RUN mode program execution always begins with the number at which the pointer is pointing unless the program step contained in this line is a R/S (84). In that case execution begins at the next line so a user can program a R/S into his program, for purposes of new data entry or to review intermediate calculations, and then get started again by pressing R/S. This exception also applies to line 00.

A user can single step through his program in RUN modes. Assume a user is at the top of program memory (line 00). A user can key in some new data and single step through as follows:

Key in 9 (ENTER) 12.

Press (SST) See 12.00 A user moves to 01.

Press (SST) See 12.00 A user executes (g)

Press (SST) See 144.00 A user executes x^2 ((g) (CHS))

Continue pressing SST see

- 9.00
- 9.00
- 81.00
- 225.00
- 225.00
- 15.00

15.00 is the answer and the program pointer is at line 09. One more (SST) will execute line 09.-00. A user is now at line 00.

The activities of the calculator in PRGM modes may be summarized. Pressing (SST) will increment the program pointer and display that line number and key code. If the pointer is at line 00, pressing BST will leave it at line 00.

Pressing any other key but GTO will cause the pointer to increment, the key code associated with that key to be stored in program memory at the incremented line, and that line and key code to be displayed. If the program pointer is at line 49 when a new key is pressed, the pointer moves to line 00 and the new key is ignored.

Pressing (GTO) does NOT move the program pointer, but the step number in the display WILL increment and only the - sign will light in the key code field.

If the (GTO) is followed by legitimate digit keys (i.e., 23, 47, 00) these digits will light in the key code field one at a time and only then will the program pointer increment, storing the merged GO TO statement into memory. If the (GTO) is followed by an illegitimate key (i.e., S, R, EEX), the GTO is ignored and the key code for the subsequent key is stored in program memory and displayed.

The calculator can be commanded to perform a requested GO TO only if a certain relational condition

between the contents of the X and Y registers is true. The allowable conditions are $x < y$ and $x = y$. If the GTO is immediately preceded by an (f) (either from the keyboard or from the prior step in program memory) the GTO will only be performed if x is equal to or less than y . Likewise if the GTO is immediately preceded by a (g), the GTO will only be performed if x is equal to y .

As an example of this, the following is a program which will order the contents of the operational stack so that the largest number is in T, next largest in Z, next in Y, and smallest in X.

00.	11. 4	22. 3	33. GTO 12
01. STO	12. RCL	23. GTO 12	34. RCL
02. 1	13. 4	24. RCL	35. 1
03. R ↓	14. RCL	25. 2	36. f
04. STO	15. 3	26. f	37. GTO 00
05. 2	16. f	27. GTO 34	38. STO
06. R ↓	17. GTO 24	28. STO	39. 2
07. STO	18. STO	29. 3	40. R ↓
08. 3	19. 4	30. R ↓	41. STO
09. R ↓	20. R ↓	31. STO	42. 1
10. STO	21. STO	32. 2	43. GTO 12

If an illegal operation is attempted in a running program, the calculator will stop execution, the contents of the X register will flash and the program pointer will remain at the line number which contains the illegal operation.

There are 4 ways that a running program will stop execution.

1. Encountering a R/S after the first executed line.
2. Transferring program control to line 00, either by executing a GTO 00 or flowing through line 49.
3. Encountering an illegal operation as described hereinafter.
4. If the user presses any key during execution which is handy if a user gets caught in an endless loop. Illegal operations include, for example:

1. Pressing (÷) with $x = 0$.
2. Pressing (1/x) with $x = 0$.

The contents of the x register is flashed, which in general is the illegal argument causing the error. The calculator restores the stack and the data storage registers to their conditions before the illegal operation was attempted. A user presses any key to stop the flashing.

Two digits are displayed to the right of the decimal point when a user switches on the calculator even though numbers are always maintained internally to ten significant digits.

Referring to FIG. 1, a user specifies a fixed decimal display by actuating FIX key 9 followed by a digit key 0-9. A user specifies scientific notation display by actuating prefix key f 7 and a digit key 0-9 that determines the number of digits displayed to the right of the decimal point.

Referring to FIG. 6B a flow diagram for implementing display format is shown. If a number is too large or too small for a "FIX" format specified by a user, the calculator automatically displays the number in scientific notation displaying 10 significant digits. Values

having a magnitude greater than or equal to $\pm 9.999999999 \times 10^{99}$ are approximated by $\pm 9.999999999 \times 10^{99}$. Values having a magnitude less than 10^{-99} are approximated by zero.

Referring to FIG. 6A, the number to be displayed is shown in normalized form, 14 bits representing sign, mantissa and magnitude. Referring to FIG. 6B, a flow chart of the display generating routing assumes a number to be displayed is in this normalized form and has a decimal point between digits eleven and twelve. The exponent in 10's complement form is in digit positions 0, 1, 2 and the sign is in digit position 13, 0 being + and 9 being -.

The number of digits to be displayed to the right of the decimal point (0-9) is stored in the M register digit position 6. A "0" is in digit position 7 if the calculator is in a fixed point format and a "1" is in digit position 7 if the calculator is in a scientific notation format.

A listing of routines and subroutines of instructions employed by the calculator and of all of the constants employed by these routines and subroutines is given below. Listings for implementing additional features are shown in referenced U.S. Pat. Ser. No. 3,863,060 and in U.S. Pat. Application Ser. No. 364,570 entitled

"Improved Scientific Calculator" filed May 29, 1973, by Peter D. Dickinson, et al.

Routines, subroutines, and constants are stored in QUAD ROM's 1 through 3 of ROM 18. Each line in each QUAD ROM is separately numbered in the first column from the left-hand side of the page. This facilitates reference to different parts of the listing. Each address in QUAD ROM's 1, 2 and 3 is represented in octal form by five digits in the second column from the left-hand side of the page. The first two digits identify which QUAD ROM and the next three digits represent an eight-bit address. QUAD ROM 1 is identified by the first two digits being 00, 01, 02, or 03; QUAD ROM 2 is identified by the first two digits being 04, 05, 06, or 07, and QUAD ROM 3 is identified by the first two digits being 10, 11, 12 or 13. The instruction or constant stored in each address of QUAD ROM's 1, 2 and 3 is represented in binary form in the third column from the left-hand side of the page. Branching addresses are represented in octal form by four digits in the fourth column from the left-hand side of the page. Explanatory comments are given in the remaining columns.

0	L00000:	1 11111.1	-> L0137		JSB START
1	L00001:	1 1111.1		****	MPY : DELAYED SELECT ROM 5
2	L00002:	1 111111	-> L0117		GO TO 0117
3	L00003:	1 1111.1		****	STOY : DELAYED SELECT ROM 2
4	L00004:	11111.1111	-> L0173		GO TO 0173
5	L00005:	1 1 1 1 1			TTX : 1 -> S5
6	L00006:	11 1 1 1 1			ETX : 12 -> P
7	L00007:	1 1 1 1 1 1 1	-> L0010	*****	SELECT ROM 2
8	L00010:	1111 1 1 1			START0: C + 1 -> CDP1
9	L00011:	1 1 1 1 1 1 1	-> L0231		JSB CLR5
10	L00012:	11 1 1 1 1 1			12 -> P
11	L00013:	1 1 1 1 1 1 1			START3: LOAD CONSTANT 5
12	L00014:	1 1 1 1 1 1 1			START2: LOAD CONSTANT 0
13	L00015:	111 1 1 1 1 1			IF P # 14
14	L00016:	1 1 1 1 1 1 1 1	-> L0013		THEN GO TO START3
15	L00017:	111 1 1 1 1 1			A EXCHANGE C[W]
16	L00020:	1 1 1 1 1 1 1 1			SHIFT LEFT A[W]
17	L00021:	11 1 1 1 1 1 1			12 -> P
18	L00022:	1 1 1 1 1 1 1 1			LOAD CONSTANT 2
19	L00023:	1 1 1 1 1 1 1 1			LOAD CONSTANT 3
20	L00024:	1 1 1 1 1 1 1 1			11 -> P
21	L00025:	1 1 1 1 1 1 1 1 1	-> L0043		GO TO START5
22	L00026:	1 1 1 1 1 1 1 1	-> L0134		LOG : JSB STOY
23	L00027:	1 1 1 1 1 1 1 1			IF S6 # 1
24	L00030:	1 1 1 1 1 1 1 1 1	-> L0005		THEN GO TO TTX
25	L00031:	1 1 1 1 1 1 1 1			LOG1 : 1 -> S5
26	L00032:	1 1 1 1 1 1 1 1			LN1 : 1 -> S10
27	L00033:	1 1 1 1 1 1 1 1			1 -> S9
28	L00034:	11 1 1 1 1 1 1 1			12 -> P
29	L00035:	1 1 1 1 1 1 1 1		****	DELAYED SELECT ROM 2
30	L00036:	1 1 1 1 1 1 1 1 1	-> L0002		GO TO 0002
31	L00037:	1 1 1 1 1 1 1 1 1	-> L0134		LN : JSB STOY
32	L00040:	1 1 1 1 1 1 1 1			IF S6 # 1
33	L00041:	1 1 1 1 1 1 1 1 1	-> L0006		THEN GO TO ETX
34	L00042:	1 1 1 1 1 1 1 1 1	-> L0032		GO TO LN1
35	L00043:	11111 1 1 1			START5: C + 1 -> C[W]
36	L00044:	1 1 1 1 1 1 1 1			START4: C -> DATA ADDRESS
37	L00045:	111 1 1 1 1 1 1			A EXCHANGE C[W]
38	L00046:	11 1 1 1 1 1 1 1	-> L0334		GO TO START6
39	L00047:	1 1 1 1 1 1 1 1			SIN0 : C -> STACK
40	L00050:	1 1 1 1 1 1 1 1			SIN : 1 -> S5
41	L00051:	11 1 1 1 1 1 1 1	-> L0330		JSB RR
42	L00052:	1111111 1 1	-> L0176		GO TO TAN
43	L00053:	1 1 1 1 1 1 1 1			SQRT2 : 0 -> S1
44	L00054:	1 1 1 1 1 1 1 1			SQRT3 : 0 -> S2
45	L00055:	11 1 1 1 1 1 1 1			12 -> P
46	L00056:	1 1 1 1 1 1 1 1			0 -> B[W]

```

47 L00057: 11...1... -> L0060
48 L00060: .1...1111.
49 L00061: 1.111...11 -> L0270
50 L00062: 1.1111.1...
51 L00063: ...1...111 -> L0021
52 L00064: .11...1... -> L0144
53 L00065: .1.111...1 -> L0134
54 L00066: .1...1.1...
55 L00067: 1...1...11 -> L0204
56 L00070: .11...111.
57 L00071: ...1...1.1 -> L0001
58 L00072: 1...11111 -> L0207
59 L00073: .11...11...
60 L00074: .1...1...
61 L00075: .1...1...
62 L00076: .1...1...
63 L00077: .1...1...11 -> L0140
64 L00080: .1...11.1. -> L0073
65 L00081: .1...11...
66 L00082: 1.1111...11 -> L0274
67 L00083: .1.111.1...
68 L00084: .11.1...11 -> L0150
69 L00085: ...
70 L00086: .11...1...1 -> L0144
71 L00087: .111.1.1...
72 L00088: .1...1.1.11 -> L0112
73 L00089: .1...1.1...
74 L00092: 1...1.1...1 -> L0224
75 L00093: 1...11111 -> L0207
76 L00094: .11...111.
77 L00095: .111...111.
78 L00096: 11...11...
79 L00097: .1.11...1.1
80 L00098: .1111.1.1.
81 L00099: 11...1...11 -> L0310
82 L00100: ...
83 L00101: .111.1...11 -> L0064
84 L00102: 1...11...1 -> L0230
85 L00103: 1...11111 -> L0207
86 L00104: ...
87 L00105: .1.1...1.1
88 L00106: .1.1...1.1
89 L00107: 1.1.1...11 -> L0250
90 L00108: .1.1.1...
91 L00109: 1...1...111 -> L0201
92 L00110: .1...1... -> L2135
93 L00111: 1.1111.1...
94 L00112: ...111.111 -> L0035
95 L00113: 1...1.11...1 -> L0226
96 L00114: .11...1...
97 L00115: 1...11...1 -> L0230
98 L00116: 11...11...
99 L00117: ...1...11 -> L0010
00 L00118: .1.1...1... -> L5145
01 L00119: .1.11...1...
02 L00120: .1...1...1...
03 L00121: .11.1.1...
04 L00122: 11...11...1 -> L0300
05 L00123: .111...1...1 -> L0062
06 L00124: .1.11...11 -> L0060
07 L00125: .1.1.1...
08 L00126: .11...11...
09 L00127: .1111...1.1
10 L00128: .1.11...1.1
11 L00129: .1.1.11111 -> L0127
12 L00130: .1.1.1...
13 L00131: 11.11.1.1.1
14 L00132: 11.11.1.1.1
15 L00133: 1.1.1.11.1 -> L0252
16 L00134: 1...1.1...1 -> L0224
17 L00135: ...1...1.1 -> L0001
18 L00136: .11...1...1 -> L0002
19 L00137: .1...1.1...
20 L00138: .1...1...1.1 -> L0103
21 L00139: .11.1.1...
22 L00140: .1...1.1...

```

```

*****
HMSA4 : SELECT ROM 5
        A -> B0M1
        GO TO HMSA3
****# OFL : DELAYED SELECT ROM 5
        GO TO 0021
SQRT : JSB TST9
      JSB STOX
      IF S4 # 1
        THEN GO TO SORT1
XSQ : C -> ACWJ
     JSB MPY
     GO TO EOF
NODE : 6 -> P
*****
CON : DELAYED SELECT ROM 2
     GO TO A140
GRD : JSB NODE
     LOAD CONSTANT 2
     GO TO R001
****# RCLY : DELAYED SELECT ROM 2
        GO TO 0150
        NO OPERATION
LSTX : JSB TST9
     IF S7 # 1
       THEN GO TO LSTX1
LSTX1 : C -> STACK
      JSB RCLX
      GO TO EOF
NINTY : C -> ACWJ
       0 -> C0M1
       12 -> P
       C - 1 -> C0P1
       C + 1 -> C0X1
       IF NO CARRY GO TO SUBOUT
       NO OPERATION
SORT0 : GO TO SORT
CLR : JSB CLR0
     GO TO EOF
     NO OPERATION
NOTGRD: 0 - C -> C0P1
       0 - C -> C0P1
       IF NO CARRY GO TO NOTGRD
       C EXCHANGE M
       GO TO TRIG2
***** STOX : SELECT ROM 2
****# DIV : DELAYED SELECT ROM 5
        GO TO 0035
START : JSB START1
      1 -> S6
      JSB CLR0
      12 -> P
      GO TO START0
***** TST9 : SELECT ROM 5
HMSA2 : 0 -> S5
      1 -> S4
      STACK -> A
      JSB ADD
      JSB OFL
      GO TO HMSA4
TRIG1 : C EXCHANGE M
      6 -> P
      C + 1 -> C0P1
      C - 1 -> C0P1
      IF NO CARRY GO TO NOTGRD
      C EXCHANGE M
      A - 1 -> ACXJ
      A - 1 -> ACXJ
      JSB TORAD
AGAIN : JSB RCLX
      JSB MPY
      JSB OFL
      C -> STACK
      JSB RCLY
      STACK -> A
      C -> STACK

```

```

123 L00173: 111.1.111.
124 L00174: 1.1.1.1.
125 L00175: 1.1.1.1.11 -> L0050
126 L00176: 11.1.1.11.
127 L00177: 1.1.1.1.1.
128 L00200: 1.1.1.1.1111 -> L0153
129 L00201: 11.11.1.1.1 -> L0330
130 L00202: 1.1.1.1.1.1 -> L0003
131 L00203: 111.1.1.1.11 -> L0342
132 L00204: 1.1.1.1.1.1.1.
133 L00205: 1111111.1.1 -> L0376
134 L00206: 1.1.1.1.1.1.1 -> L0053
135 L00207: 1.1.1.1.1.1.1. -> L1210
136 L00210: 1.1.1.1.1.1.
137 L00211: 1.1.1.1.1111 -> L0207
138 L00212: 1.1.1.1.1.1.
139 L00213: 11.1.1.1.111 -> L0145
140 L00214: 1.1.1.1.1.1.
141 L00215: 1.1.1.1.1.1.
142 L00216: 1.1.1.1.1.1.
143 L00217: 1.1.1.1.111.
144 L00220: 1.111.1.1.1.1 -> L0270
145 L00221: 1.111.1.1.1.1 -> L0073
146 L00222: 1.1.1.1.1.1.
147 L00223: 1.1111.1.1.1.1 -> L0274
148 L00224: 1.1.1.1.1.1.
149 L00225: 1.1.1.1.1.1.1. -> L0216
150 L00226: 1.1.1.1.1.1.
151 L00227: 111.1.1.1.1.
152 L00230: 1.1.1.1.111.
153 L00231: 1.111.1.1.1.
154 L00232: 11.1.1.1.1.
155 L00233: 1.1.1.1.1.1.
156 L00234: 1.1.1111.1.1 -> L0236
157 L00235: 1.1111.1.1.1.
158 L00236: 1.1.1.1.1.1.
159 L00237: 1.1.111.1.1.
160 L00240: 1.1.1.1.111.
161 L00241: 1.1111.1.1.
162 L00242: 1.1.1.1.1.1.
163 L00243: 1.1.1.1.111.
164 L00244: 1.1111.1.1.1.
165 L00245: 1.1.1111111 -> L0237.
166 L00246: 1.1.1.1.111.
167 L00247: 1.1.1.1.1.1.
168 L00250: 1.1.1.1.1.1.
169 L00251: 1.1.1.1.1.1.1 -> L0114
170 L00252: 1.1.111.1.1.1 -> L0135
171 L00253: 11.1.1.1.1.1.1 -> L0312
172 L00254: 1.1.1.1.1.1.1 -> L0001
173 L00255: 1.1.1.1.1.1.1 -> L0062
174 L00256: 1.1.1.1.1.1.1.1 -> L0201
175 L00257: 1.1.111.1.1.1 -> L0134
176 L00260: 1.1.1.1.1.1.
177 L00261: 1.1.1.1.1111 -> L0263
178 L00262: 1.1111111.1.
179 L00263: 1.1.1.1.1.1.
180 L00264: 1.1.1.1.1.1.
181 L00265: 1.1.1.1.1.1.
182 L00266: 1.1.1.1.1.1.
183 L00267: 1.1.1.1.111.
184 L00270: 1.1.1.11.1.1.
185 L00271: 1.1.1.1.1.1.1. -> L2272
186 L00272: 1.1.1.1.1.1.1.1 -> L0033
187 L00273: 1.1.1.1.1.1.
188 L00274: 1.1.1.1.1.1.
189 L00275: 1.1.111.1.1.
190 L00276: 1.1.1.1.1111 -> L0023
191 L00277: 1.1.1.1.1.1.1.1 -> L0144
192 L00300: 1.111.1.1.1.
193 L00301: 11.1.1.1.1111 -> L0303
194 L00302: 1.1.1.1.1.1.
195 L00303: 11.1.1.1.1.1.1 -> L0312
196 L00304: 1.1.1.1.111.
197 L00305: 1.1.1.1.1111 -> L0207

```

```

A EXCHANGE C[W]
COS : 1 -> S9
      GO TO SIN
TAN : C -> AC[W]
      IF S4 # 1
          THEN GO TO TRIG1
TRIG2 : JSB RR
        JSB STOY
        GO TO TRIG3
SORT1 : IF C[S] >= 1
        THEN GO TO ENR0
        JSB SORT2
***** EOF : SELECT ROM 1
EHMS : IF S5 # 1
        THEN GO TO EOF
        IF S10 # 1
            THEN GO TO HMSA2
        0 -> S10
        STACK -> A
        C -> STACK
        A -> BC[W]
        GO TO HMSA3
DEG. : JSB MODE
        LOAD CONSTANT 0
        GO TO RAD1
$$$$ RCLX : DELAYED SELECT ROM 2
        GO TO 0216
START1 : CLEAR STATUS
        CLEAR REGISTERS
CLR0 : 0 -> C[W]
CLR5 : C + 1 -> C[X]
        12 -> P
        IF S6 # 1
            THEN GO TO CLR1
        C + 1 -> C[P]
CLR1 : 11 -> P
CLR2 : C -> DATA ADDRESS
        B EXCHANGE C[W]
        C -> DATA
        C -> STACK
        B EXCHANGE C[W]
        C + 1 -> C[P]
        IF NO CARRY GO TO CLR2
        B -> C[W]
        RETURN
NOTRAD : C EXCHANGE M
        JSB NINTY
        JSB DIV
TORAD : JSB HPI
        JSB MPY
        JSB OFL
        GO TO TRIG2
HMSA : JSB STOX
HMSADJ : IF S4 # 1
        THEN GO TO HMSA1
        0 - C - 1 -> C[S]
HMSA1 : 0 -> S4
        1 -> S5
        1 -> S10
        NO OPERATION
        B EXCHANGE C[W]
***** HMSA3 : DELAYED SELECT GROUP 1
***** SELECT ROM 2
RAD1 : JSB MODE
        LOAD CONSTANT 1
        C EXCHANGE M
$$$$ DELAYED SELECT ROM 2
        GO TO 0023
PI : JSB TST9
        IF S7 # 1
            THEN GO TO PI1
        C -> STACK
PI1 : JSB HPI
        C + C -> C[W]
        IF NO CARRY GO TO CCF

```

```

198 L00306: 1.1111.1.1
199 L00307: 1.1.11.1.11 -> L0230
200 L00310: 1.1.1.1.1.1 -> L1311
201 L00311: .....
202 L00312: 1.1.11.1.1.1
203 L00313: 11.1.1.1.1.1 -> L6314
204 L00314: 11.11.1.1.1.1 -> L0330
205 L00315: 1.1.1.1.1.1
206 L00316: 11.1.1.1.1.11 -> L0324
207 L00317: 1.1.1.1.1.1
208 L00320: 1.111.1.1.1.1 -> L0164
209 L00321: 1.1.1.1.1.1 -> L0224
210 L00322: .....1.1 -> L0001
211 L00323: .....
212 L00324: 1.1.1.1.1.1
213 L00325: 1.1.11.1.1.1
214 L00326: 1.1.1.1.1.11 -> L0103
215 L00327: 1.1.1.1111.1 -> L0207
216 L00330: 1.11.1.1.1.1
217 L00331: 1.111.1.1.1.1
218 L00332: 1.1.1.1.1.1
219 L00333: 1.1.11.1.1.1
220 L00334: 1.1111.1.1.1.1
221 L00335: 111.1.1.11.1
222 L00336: 1.1111.1.1.1.1
223 L00337: 1.1.1.1.1.11 -> L0044
224 L00340: 111.1.1.1.1.1
225 L00341: 11111.1.1.1.1 -> L0370
226 L00342: 1.1.1.1.1.1
227 L00343: 1.1.1.1.1.1
228 L00344: 1.1.1.1.1.1
229 L00345: 111.1.1.1.1.1 -> L0350
230 L00346: 1.1.1.11.1.1 -> L0054
231 L00347: 1.1.1.1.1.1 -> L4350
232 L00350: 111.1.1.111.1
233 L00351: 1.11.1.1.1.1
234 L00352: .....11.1
235 L00353: 1.1.1.11.1.1
236 L00354: 1.1.1.1.1.1
237 L00355: 111.1.1.11.1
238 L00356: 1.1.111.1.1
239 L00357: 1.1.1.11.1.1 -> L0054
240 L00360: 1.1.1.1.1.1
241 L00361: 1111.1.111.1 -> L0363
242 L00362: 1.1.11.1.1.1 -> L0054
243 L00363: 1.11.1.111.1
244 L00364: 1.1.1.1.1.1
245 L00365: 11.1.11.1.1.1 -> L0314
246 L00366: 1.1111.1.1.1
247 L00367: 1.1.11.11.1.1 -> L0215
248 L00370: 1.1.1.1.11.1
249 L00371: 1.1.1.11.1.1
250 L00372: 1.11.1.11.1.1
251 L00373: 1.1.1.11.1.1
252 L00374: 1.1.111.1.1.1
253 L00375: 1.11.11.11.1.1 -> L0066
254 L00376: 1.1111.1.1.1
255 L00377: 11.1.1.1.1.1 -> L0302
    
```

```

$$$$ ADD : DELAYED SELECT ROM 5
GO TO @230
***** SUBOUT: SELECT ROM 1
NO OPERATION
HPI : 0 -> S1
***** SELECT ROM 6
FTO : JSB RR
IF S10 # 1
THEN GO TO TRIG10
IF S9 # 1
THEN GO TO AGAIN
JSB RCLX
JSB MPY
NO OPERATION
TRIG10: C -> STACK
0 -> S9
JSB RCLY
GO TO EOF
RR : 1 -> S3
0 -> S11
1 -> S8
RETURN
START6: C -> DATA
A EXCHANGE C[W]
C + 1 -> C[P]
IF NO CARRY GO TO START4
CLEAR REGISTERS
GO TO START7
TRIG3 : STACK -> A
1 -> S1
IF S9 # 1
THEN GO TO SATFST
GO TO SORT3
SELECT ROM 4
SATFST: A EXCHANGE C[W]
0 -> C[X]
0 -> P
LOAD CONSTANT 5
0 - C -> C[X]
A EXCHANGE C[W]
IF C[X] = 0
THEN GO TO SORT3
IF A >= C[X]
THEN GO TO SA
GO TO SORT3
SA : C -> A[W]
IF S4 # 1
THEN GO TO FTO
$$$$ ITO : DELAYED SELECT ROM 3
GO TO @215
START7: 10 -> F
LOAD CONSTANT 1
7 -> P
LOAD CONSTANT 2
$$$$ DELAYED SELECT ROM 2
GO TO @066
$$$$ ERR0 : DELAYED SELECT ROM 3
GO TO @302
    
```

HERLO OBJECT PROGRAM

```

0 L01000: 1.1.1.1.1.1
1 L01001: 1.111.1.11.1 -> L1071
2 L01002: 1.11.11.1.1
3 L01003: 1111111.1.1 -> L1376
4 L01004: .....
5 L01005: 1.1.11.1.1.1
6 L01006: 1.1111.1.1.1 -> L1274
7 L01007: 1.11.1.1.1.1 -> L1140
8 L01010: 1.1.1.1.1.1
9 L01011: 1.11.1111.1 -> L1267
10 L01012: 1.1.1.1.11.1
11 L01013: 1.111.1.11.1 -> L1271
12 L01014: 1.1.111.1.1
13 L01015: 1.1.1.1.111 -> L1203
    
```

```

1 -> S1
GO TO EOF
FIX1 : 0 -> C[X]
JSB FIX2
NO OPERATION
DEC14: C - 1 -> C[P]
IF NO CARRY GO TO DEC15
RS50 : JSB RR1
IF S8 # 1
THEN GO TO RS
RS52 : B -> C[W]
GO TO RS51
$$$$ SWITCH: DELAYED SELECT ROM 2
GO TO @203
    
```



```

14 L01016: 1.1111.1..
15 L01017: 1.1.111.111 -> L1135
16 L01020: 1.1.11.1..
17 L01021: 1.1.111.111 -> L1035
18 L01022: 1.1.1.1.1..
19 L01023: 1.1.111111.
20 L01024: 1.11.1.1.111 -> L1145
21 L01025: 1.1.1.1.1..
22 L01026: 1.1111.111 -> L1075
23 L01027: 1.11.1.1..
24 L01030: 1.1.1111111 -> L1137
25 L01031: 1.11.1.1..
26 L01032: 1.1.1.1.1111 -> L1253
27 L01033: 1.1111.1..
28 L01034: 11.1.111.11 -> L1316
29 L01035: 1.1.1.1.1..
30 L01036: 1.11.11111.
31 L01037: 1.1.1.1.111 -> L1041
32 L01040: 111.1111.1 -> L1357
33 L01041: 1.1.1.1.1..
34 L01042: 1.1.11.1.1..
35 L01043: 1.11.1.1.11 -> L1060
36 L01044: 1.1.1.1.1.1 -> L1244
37 L01045: 1.111.1.111 -> L1173
38 L01046: 1.1.1.1.1..
39 L01047: 1.1.111.11 -> L1016
40 L01050: 111.1.1.111.
41 L01051: 1.1.1.1.1..
42 L01052: 1.1.1.1.1..
43 L01053: 1.1.111.1.
44 L01054: 11.1.111.11 -> L1316
45 L01055: 1.1.1.1.1..
46 L01056: 11.1.111111 -> L1317
47 L01057: 1.1.1.1.1..
48 L01060: 1.1.11.1.1..
49 L01061: 1.1.1.1.1.11 -> L1102
50 L01062: 1.1.1.1.1.1 -> L1244
51 L01063: 1.1111.1.111 -> L1371
52 L01064: 1.1.1.1.111.
53 L01065: 1.1.1.1.1111 -> L1213
54 L01066: 1.1111.1.1..
55 L01067: 1.1.1.1.111 -> L1021
56 L01070: 1.1.1.1.1..
57 L01071: 1.1.11111.1 -> L1137
58 L01072: 1.1.1.1.1..
59 L01073: 1.11.1.1.11 -> L1064
60 L01074: 1.1.1.1.1111 -> L1213
61 L01075: 11.1.1.11.1 -> L1303
62 L01076: 1.1.1.1.1..
63 L01077: 1.1.1.11.11 -> L1046
64 L01100: 1.11111.1..
65 L01101: 1111.11.11 -> L1366
66 L01102: 1.1.11.1.1..
67 L01103: 1.1.111111 -> L1117
68 L01104: 1.1.1.1.1.1 -> L1244
69 L01105: 111.11.1.1 -> L1354
70 L01106: 1111.1.1.1 -> L1360
71 L01107: 1.1.1.1.1..
72 L01110: 1.11.11.1.
73 L01111: 1.111111.1.
74 L01112: 1.1.1.1.1..
75 L01113: 1.111.1.11 -> L1070
76 L01114: 1.1.111.1..
77 L01115: 1.1111.1111 -> L1173
78 L01116: 1.1.1.1.1.. -> L5117
79 L01117: 1.1.11.1.1.
80 L01120: 1.1.111111 -> L1257
81 L01121: 1.1.1.1.1.1 -> L1244
82 L01122: 1.1.1.1.111.
83 L01123: 11.1.1.11.1 -> L1303
84 L01124: 1.1.11.1.1..
85 L01125: 1.111.1.111 -> L1071
86 L01126: 1.111.1.1.1.
87 L01127: 1.11.1.1.11 -> L1132
88 L01130: 1.1.1.1.111.

```

```

***** DIGENT: DELAYED SELECT ROM 5
GO TO @135
DECODE: C - 1 -> CIPJ
IF NO CARRY GO TO DEC1
DIGIT : C EXCHANGE M
DIGIT9: IF CCSJ >= 1
THEN GO TO GTD
C EXCHANGE M
GO TO DIGIT1
DRR1 : IF S3 # 1
THEN GO TO RR
IF S11 # 1
THEN GO TO DRR4
***** DEC16 : DELAYED SELECT ROM 5
GO TO @316
DEC1 : C EXCHANGE M
IF CCSJ = 0
THEN GO TO DEC1A
JSB CLPX1
DEC1A : C EXCHANGE M
C - 1 -> CIPJ
IF NO CARRY GO TO DEC2
R1 : JSB DEC10
PCT : GO TO PCT1
DIGIT2: IF S1 # 1
THEN GO TO DIGENT
FIXDIG: A EXCHANGE C[WJ
C EXCHANGE M
0 -> P
0 - C -> C[XSJ
IF NO CARRY GO TO FXD1
LOAD CONSTANT 1
GO TO FXD3
NO OPERATION
DEC2 : C - 1 -> CIPJ
IF NO CARRY GO TO DEC3
JSB DEC10
FIX : GO TO FIX4
EOP1 : B -> C[WJ
GO TO EOF1
***** OFL : DELAYED SELECT ROM 5
GO TO @031
E00 : C EXCHANGE M
EOP : JSB PR
IF S9 # 1
THEN GO TO EOP1
GO TO EOP1
DIGIT1: JSB TST46
IF S2 # 1
THEN GO TO DIGIT2
***** DELAYED SELECT ROM 3
GO TO @300
DEC3 : C - 1 -> CIPJ
IF NO CARRY GO TO DEC4
R3 : JSB DEC10
RCL : JSB TST6
JSB CLPX
C EXCHANGE M
0 -> C[XSJ
C + 1 -> C[XSJ
1 -> S2
GO TO E00
***** STOY : DELAYED SELECT ROM 2
GO TO @173
***** MPY : SELECT ROM 5
DEC4 : C - 1 -> CIPJ
IF NO CARRY GO TO TRANS
R4 : JSB DEC10
CLX : 0 -> B[WJ
JSB TST46
CLEAR STATUS
GO TO EOP
DP2 : IF S7 # 1
THEN GO TO DP3
B EXCHANGE C[WJ

```

```

89  L01131:  .1..1.1...
90  L01132:  1..1...1..
91  L01133:  .111..1111  -> L1163
92  L01134:  .1...1...   -> L2135
93  L01135:  .1.11...1.
94  L01136:  .....1.111  -> L1005
95  L01137:  1...1...1..
96  L01140:  ..111...1..
97  L01141:  1.111...1..
98  L01142:  .....11....
99  L01143:  .....
100 L01144:  1.1...1...   -> L5145
101 L01145:  .1.111111..
102 L01146:  ..11.11111..
103 L01147:  11.1.1.111  -> L1325
104 L01150:  111.1.111..
105 L01151:  .1.1.1...
106 L01152:  .....11...
107 L01153:  .11....1.
108 L01154:  1.1.1...1.
109 L01155:  11...11111  -> L1307
110 L01156:  111.1...1.
111 L01157:  ..1.1.1...
112 L01160:  111.1.111..
113 L01161:  111.1111.1  -> L1357
114 L01162:  ...1...1111  -> L1023
115 L01163:  ..11...111..
116 L01164:  1.111.111..
117 L01165:  11...11...
118 L01166:  .1.111...1.
119 L01167:  ..11111111..
120 L01170:  .11111111..
121 L01171:  1...1.111..
122 L01172:  1111.1.111  -> L1365
123 L01173:  .11...1...1  -> L1144
124 L01174:  .1.111...1  -> L1134
125 L01175:  11.1...11.1  -> L1323
126 L01176:  .11.1.1...
127 L01177:  111.1.111..
128 L01200:  .1...1.1...
129 L01201:  .1.11.1.1.
130 L01202:  .1.11.1.1.
131 L01203:  .1...111...1  -> L1116
132 L01204:  1...1...11  -> L1210
133 L01205:  .11.1.1...
134 L01206:  .1...1.1...
135 L01207:  .....11....
136 L01210:  .....11.1...
137 L01211:  ..11.11...1  -> L1066
138 L01212:  .111...1...
139 L01213:  1.1.11.1...
140 L01214:  1...1...111  -> L1201
141 L01215:  1.1111.1...
142 L01216:  1...1.11111  -> L1227
143 L01217:  .1...1.1...
144 L01220:  1...1...1111  -> L1223
145 L01221:  ...11...11..
146 L01222:  111...11111  -> L1347
147 L01223:  ...1.1.1...
148 L01224:  .11...1.1.
149 L01225:  ...1...11...
150 L01226:  .1...111..
151 L01227:  .....1111...
152 L01230:  .1...1.11...
153 L01231:  1...1.11.11  -> L1226
154 L01232:  111.11...1.
155 L01233:  11...11...
156 L01234:  .11.1...1.
157 L01235:  1...1111111  -> L1237
158 L01236:  .1.11...11..
159 L01237:  .1.1.1.1...
160 L01240:  111...11111  -> L1347
161 L01241:  1.11.1.1...
162 L01242:  11.1.1.111  -> L1321
163 L01243:  1.1.111.11  -> L1256

```

```

C -> STACK
DP3  : 1 -> S9
      GO TO DP99
***** STOX : SELECT ROM 2
DEC13: C - 1 -> C[P]
      IF NO CARRY GO TO DEC14
RR   : 0 -> S8
RR1  : 0 -> S3
      0 -> S11
      RETURN
      NO OPERATION
***** TST9 : SELECT ROM 5
GTD  : C - 1 -> C[S]
      IF C[S] = 0
          THEN GO TO GTD2
GTD1 : A EXCHANGE C[W]
      C EXCHANGE M
      0 -> P
      C -> ACPJ
      C + C -> C[P]
      IF NO CARRY GO TO GTD3
      A EXCHANGE C[P]
      C EXCHANGE M
      A EXCHANGE C[W]
      JSR CLPX1
      GO TO DIGIT9
DP99 : 0 -> C[W]
      0 -> A[W]
      12 -> P
      C - 1 -> C[W]P
      C + 1 -> C[S]
      C + 1 -> C[S]
      B EXCHANGE C[W]
      GO TO DP4
PCT1 : JSR TST9
      JSR STOX
      JSR TST46
      STACK -> A
      A EXCHANGE C[W]
      C -> STACK
      C - 1 -> C[X]
      C - 1 -> C[X]
      JSR MPY
      GO TO EOF
FLIP : STACK -> A
      C -> STACK
      RETURN
EOF  : CLEAR STATUS
      JSR OFL
      1 -> S7
***** EOF1 : DELAYED SELECT GROUP 1
          GO TO @201
***** SUB  : DELAYED SELECT ROM 5
          GO TO @227
CB1  : IF S4 # 1
          THEN GO TO BCH
          IF C[M] >= 1
          THEN GO TO NOBCH
BCH  : C EXCHANGE M
      C -> A[X]
      1 -> P
BCH1 : SHIFT LEFT A[W]
      P + 1 -> P
      IF P # 4
          THEN GO TO BCH1
      A EXCHANGE C[M]P
      12 -> P
      IF C[P] = 0
          THEN GO TO BCH2
      C - 1 -> C[M]
BCH2 : C EXCHANGE M
      GO TO NOBCH
DRR3 : IF S11 # 1
          THEN GO TO ROM6
      GO TO DRR5

```

164 L01244: 11 . .
 165 L01245: . 1 . 11 . . . 1 .
 166 L01246: . 1 . 11 . . . 1 .
 167 L01247: 1 . 1 . 1 . . 111 -> L1251
 168 L01250: 1 1 -> L4251
 169 L01251: . 1 . 11 . . . 1 .
 170 L01252: 1 . 1 . 11 . . . 11 -> L1254
 171 L01253: . 1 . . . 1 -> L2254
 172 L01254: . 1 . 11 . . . 1 .
 173 L01255: . 1 . 111 . 111 -> L1135
 174 L01256: . 11 . . 1 -> L3257
 175 L01257: 111 . 1 . 111 .
 176 L01260: . . 1 . 1 . 1 . . .
 177 L01261: 111 . 1 . 1 . 1 .
 178 L01262: 1 . . 1 . . 1 . . .
 179 L01263: 11 . 11 . 1111 -> L1333
 180 L01264: . 1 . . . 1 . 1 . . .
 181 L01265: 1 . . 1 . . 1111 -> L1223
 182 L01266: 111 . . . 1 . 11 -> L1342
 183 L01267: . 111 . 1 . . . 1 -> L1144
 184 L01270: 1111 1 -> L1360
 185 L01271: . . 1 . 1 . 1 . . .
 186 L01272: 1 . 1 . 11 . 1 . . .
 187 L01273: . 1 . . . 1 -> L2274
 188 L01274: . 1 . 11 . . . 1 .
 189 L01275: . . . 11 . 1111 -> L1033
 190 L01276: 111 . 11 . . . 1 -> L1354
 191 L01277: . . 1 . . 1 . 1 . . .
 192 L01300: 1111 . . 1 . 11 -> L1362
 193 L01301: . . . 11 . . . 1 -> L1014
 194 L01302: . . 1 . . 11
 195 L01303: . . 1 . . 11
 196 L01304: . . . 1 . 11 . 1 . .
 197 L01305: 1111 . . . 111 -> L1361
 198 L01306: 1111 . 11 . 1 . . .
 199 L01307: . . . 11 . . . 1 -> L1014
 200 L01310: . . 111 . 111 -> L1071
 201 L01311: 1 . . . 1 . 1 . . .
 202 L01312: . . . 1 . 11111 -> L1027
 203 L01313: . . 111 . 1 . 1 . . .
 204 L01314: 1 . 1 . 1 . . 11 -> L1250
 205 L01315: 1 . 1 . . . 111 -> L1241
 206 L01316: 11
 207 L01317: . 1 . 111 . 1 . . .
 208 L01320: . 11 . 11 . . 11 -> L1154
 209 L01321: . . . 111 . 1 . . .
 210 L01322: 11 . 11 . . . 11 -> L1330
 211 L01323: 1 . . 1 . . 1 . . .
 212 L01324: . 11 . . 1 -> L3325
 213 L01325: 111 . 1 . 111 .
 214 L01326: . . 1 . 1 . 1 . . .
 215 L01327: . 1 . . . 1 . 1 . . .
 216 L01330: 11
 217 L01331: . 11 1 . . .
 218 L01332: 111 . 1 . 111 .
 219 L01333: . . 1 . 1 . 1 . . .
 220 L01334: 111 . 1 . 111 .
 221 L01335: . 11 . . 1 . . . 1 -> L1144
 222 L01336: . 1 . . 11 . . . 1 -> L1114
 223 L01337: 1 1 . 1 . 1 -> L1205
 224 L01340: . 11 . . 1 . 1 . . .
 225 L01341: 1 . 11 . 1 . . 11 -> L1264
 226 L01342: 1 . . . 11 . 1 . 1 -> L1215
 227 L01343: . 11 . . 1 . 1 . . .
 228 L01344: 1 . . . 111111 -> L1217
 229 L01345: . 11 . 11111 .
 230 L01346: 1 . . 1 . . 1111 -> L1223
 231 L01347: 1 1 . 1 . 1 -> L1205
 232 L01350: 111 . 1 . 111 .
 233 L01351: 1111 . 111 . 1 -> L1367
 234 L01352: . 1 . 111 . 1 . . .
 235 L01353: . . . 1 . . 1111 -> L1023
 236 L01354: 1 . . . 1 . 1 . . .
 237 L01355: . 11 . . 1 -> L3356
 238 L01356:

DEC10 : 0 -> P
 C - 1 -> C[P]
 C - 1 -> C[P]
 IF NO CARRY GO TO DEC11
 ***** DRR2 : SELECT ROM 4
 DEC11 : C - 1 -> C[P]
 IF NO CARRY GO TO DEC12
 ***** DRR4 : SELECT ROM 2
 DEC12 : C - 1 -> C[P]
 IF NO CARRY GO TO DEC13
 ***** DRR5 : SELECT ROM 3
 TRANS : A EXCHANGE C[W]
 C EXCHANGE M
 A EXCHANGE C[X]
 0 -> S8
 GO TO GTD5
 GTD7 : IF S4 # 1
 THEN GO TO BCH
 GO TO GTD8
 RS : JSB TST9
 JSB CLPX
 RS51 : C EXCHANGE M
 ***** DELAYED SELECT GROUP 1
 ***** SELECT ROM 2
 DEC15 : C - 1 -> C[P]
 IF NO CARRY GO TO DEC16
 DP : JSB TST6
 DP10 : IF S2 # 1
 THEN GO TO DP5
 DP12 : JSB SWITCH
 2 -> P
 LOAD CONSTANT 2
 IF A >= C[XS]
 THEN GO TO DP1
 A + C -> A[XS]
 GTD3 : JSB SWITCH
 GO TO EOP
 SUBOUT: IF S8 # 1
 THEN GO TO DRR1
 IF S3 # 1
 THEN GO TO DRR2
 GO TO DRR3
 FXD1 : LOAD CONSTANT 0
 ***** FXD3 : DELAYED SELECT ROM 2
 GO TO @154
 ***** ROM0 : DELAYED SELECT ROM 0
 GO TO @330
 TST46 : 0 -> S8
 ***** SELECT ROM 3
 GTD2 : A EXCHANGE C[W]
 C EXCHANGE M
 SHIFT LEFT A[W]
 0 -> P
 C -> A[P]
 A EXCHANGE C[W]
 C EXCHANGE M
 A EXCHANGE C[W]
 JSB TST9
 GTD4 : JSB STOY
 JSB FLIP
 IF S6 # 1
 THEN GO TO GTD7
 GTD8 : JSB SUB
 IF S6 # 1
 THEN GO TO CB1
 IF C[S] = 0
 THEN GO TO BCH
 NOBCH : JSB FLIP
 A EXCHANGE C[W]
 JSB RCLY
 ***** LVIT : DELAYED SELECT ROM 2
 GO TO @023
 TST6 : 0 -> S8
 ***** SELECT ROM 3
 NO OPERATION

```

239 L01357: 11111111
240 L01360: 11111111 -> L3361
241 L01361: 11111111 -> L1014
242 L01362: 11111111 -> L1360
243 L01363: 11111111
244 L01364: 11111111 -> L1126
245 L01365: 11111111
246 L01366: 11111111 -> L1071
247 L01367: 11111111
248 L01370: 11111111 -> L1150
249 L01371: 11111111
250 L01372: 11111111
251 L01373: 11111111 -> L1002
252 L01374: 11111111
253 L01375: 11111111
254 L01376: 11111111
255 L01377: 11111111 -> L1360

```

```

0 L02000: 11111111 -> L2064
1 L02001: 11111111 -> U2375
2 L02002: 11111111
3 L02003: 11111111 -> L2111
4 L02004: 11111111
5 L02005: 11111111 -> L2111
6 L02006: 11111111
7 L02007: 11111111 -> L2072
8 L02010: 11111111
9 L02011: 11111111
10 L02012: 11111111
11 L02013: 11111111 -> L2074
12 L02014: 11111111
13 L02015: 11111111
14 L02016: 11111111
15 L02017: 11111111
16 L02020: 11111111 -> L7021
17 L02021: 11111111
18 L02022: 11111111 -> L2230
19 L02023: 11111111 -> L2254
20 L02024: 11111111 -> L2360
21 L02025: 11111111
22 L02026: 11111111 -> L2070
23 L02027: 11111111
24 L02030: 11111111
25 L02031: 11111111
26 L02032: 11111111
27 L02033: 11111111 -> L2010
28 L02034: 11111111 -> L5035
29 L02035: 11111111 -> L2144
30 L02036: 11111111 -> L2324
31 L02037: 11111111
32 L02040: 11111111
33 L02041: 11111111
34 L02042: 11111111 -> L2207
35 L02043: 11111111
36 L02044: 11111111 -> L2270
37 L02045: 11111111 -> L2144
38 L02046: 11111111 -> L2135
39 L02047: 11111111 -> L2324
40 L02050: 11111111
41 L02051: 11111111
42 L02052: 11111111 -> L2115
43 L02053: 11111111
44 L02054: 11111111 -> L2027
45 L02055: 11111111 -> L2002
46 L02056: 11111111
47 L02057: 11111111
48 L02060: 11111111
49 L02061: 11111111
50 L02062: 11111111
51 L02063: 11111111 -> L2035
52 L02064: 11111111
53 L02065: 11111111 -> L2117
54 L02066: 11111111
55 L02067: 11111111
56 L02070: 11111111 -> L1071

```

```

CLPX1 : 0 -> C[S]
***** CLPX : SELECT ROM 3
DP1 : JSB SMITCH
DP5 : JSB CLPX
      IF S9 # 1
          THEN GO TO DP2
DP4 : 1 -> S7
      GO TO EOP
$$$$$ RCLY : DELAYED SELECT ROM 2
      GO TO 0150
FIX4 : C EXCHANGE M
      IF S6 # 1
          THEN GO TO FIX1
      0 -> C[XS]
      C + 1 -> C[XS]
FIX2 : C EXCHANGE M
      JSB CLPX

CON51 : JSB MPY
      GO TO CON52
LN5 : IF C[M] = 0
      THEN GO TO ERROR
      IF C[S] >= 1
          THEN GO TO ERROR
      IF S9 # 1
          THEN GO TO ZERO
XTY20 : 1 -> S2
XTY21 : C -> A[W]
      IF S10 # 1
          THEN GO TO EXP22
      0 -> A[W]
      A - C -> A[M]
      SHIFT RIGHT A[W]
      C - 1 -> C[S]
      SELECT ROM 7
$$$$$ ADD : DELAYED SELECT ROM 5
      GO TO 0230
LVIT : JSB RR
      JSB CLPX
      B EXCHANGE C[W]
      GO TO EOP
YTX1 : C -> STACK
      A EXCHANGE C[W]
      1 -> S10
      12 -> P
      GO TO XTY20
***** DIV : SELECT ROM 5
KEY1 : JSB TST9
      JSB TST46
      STACK -> A
      C -> STACK
      A EXCHANGE C[W]
      GO TO EOP
##### CON1 : DELAYED SELECT GROUP 1
      GO TO 0270
YTX : JSB TST9
      JSB STOX
      JSB TST46
      STACK -> A
      IF A[S] >= 1
          THEN GO TO ERR2
      IF A[M] >= 1
          THEN GO TO YTX1
      GO TO LN5
LD40 : 0 -> C[W]
      12 -> P
      LOAD CONSTANT 4
      C + 1 -> C[X]
      RETURN
KEY : GO TO KEY1
$$$$$ MPY : DELAYED SELECT ROM 5
      GO TO 0117
      C EXCHANGE M
      CLEAR STATUS
***** EOP : SELECT ROM 1

```

57	L02071:			NO OPERATION
58	L02072:	111.1.111.		ZERO	A EXCHANGE C[W]
59	L02073:	1.....11111	-> L2087		GO TO EOP
60	L02074:	1.1.1.1.1.		EXP22	IF S5 # 1
61	L02075:	1.....111	-> L2101		THEN GO TO EXP21
62	L02076:	111111.1..		****	EXP23 : DELAYED SELECT ROM 7
63	L02077:1.111	-> L2011		GO TO @011
64	L02100:			NO OPERATION
65	L02101:	111.1.1..	-> L7102	*****	EXP21 : SELECT ROM 7
66	L02102:	..1...111.		CHS1	B -> C[W]
67	L02103:	..1111111.			0 - C - 1 -> C[S]
68	L02104:	..1.1.11.1	-> L2023		JSB LVIT
69	L02105:	1111.....1	-> L2360	G	JSB CLPX
70	L02106:	1.....1..			1 -> S4
71	L02107:	..111...11	-> L2070		GO TO EOP
72	L02110:			NO OPERATION
73	L02111:	1..1.1.1..		ERROR	IF S9 # 1
74	L02112:	1..11.111	-> L2115		THEN GO TO ERR2
75	L02113:	1..11.1..			0 -> S9
76	L02114:	1.1.1.1.11	-> L2120		GO TO ERR0
77	L02115:	111.1.111.		ERR2	A EXCHANGE C[W]
78	L02116:	1..1.1.1..			C -> STACK
79	L02117:	111.1.111.		ERR3	A EXCHANGE C[W]
80	L02120:	111111.1..		\$\$\$\$	ERR0 : DELAYED SELECT ROM 3
81	L02121:	11.....1.11	-> L2302		GO TO @302
82	L02122:	11.1.1.1.1	-> L2324	CHS	JSB TST40
83	L02123:	1111.....1	-> L2360		JSB CLPX
84	L02124:	1..1.1.1..			IF S9 # 1
85	L02125:	1.....1.11	-> L2102		THEN GO TO CHS1
86	L02126:	111.1.111.			A EXCHANGE C[W]
87	L02127:	1.1.1.1.1.			IF S10 # 1
88	L02130:	1.....11	-> L2200		THEN GO TO CHS2
89	L02131:	..11111.1.			0 - C - 1 -> C[XS]
90	L02132:	11.....111.			C -> A[W]
91	L02133:	1.1111.1..		\$\$\$\$	DELAYED SELECT ROM 5
92	L02134:	11.1.1.1.11	-> L2152		GO TO @152
93	L02135:11.1..		STOX	0 -> S1
94	L02136:	..1.1.1.1..		STOX1	0 -> S2
95	L02137:	1..1.1.1.11	-> L2220		GO TO SAVE
96	L02140:	1.1.11.1.1	-> L2254	CON	JSB RR
97	L02141:	1.....11.1	-> L2203		JSB SWITCH
98	L02142:11..			0 -> P
99	L02143:	11.1.1.111	-> L2325		GO TO CON0
100	L02144:	1.1.1.1.1.	-> L5145	*****	TST9 : SELECT ROM 5
101	L02145:	..111.1..		\$\$\$\$	SGRT : DELAYED SELECT ROM 0
102	L02146:	..1.1.1111	-> L2053		GO TO @053
103	L02147:			NO OPERATION
104	L02150:	..1.1.1.1.		RCLY	1 -> S1
105	L02151:	1..1.111111	-> L2217		GO TO RCLX1
106	L02152:	1.1111.1..		\$\$\$\$	OFL : DELAYED SELECT ROM 5
107	L02153:	..1.1.1.111	-> L3021		GO TO @021
108	L02154:	1.....111.		FXD3	SHIFT LEFT A[W]
109	L02155:111..			P - 1 -> P
110	L02156:1.11..			IF P # 0
111	L02157:	..11.11.11	-> L2154		THEN GO TO FXD3
112	L02160:	1111.11..			7 -> P
113	L02161:	111.1.1.1.			A EXCHANGE C[P]
114	L02162:	..1.1.1.1..			C EXCHANGE M
115	L02163:	111.1.111.			A EXCHANGE C[W]
116	L02164:	1.1.11.1.1	-> L2254		JSB RR
117	L02165:	111.1.1.1	-> L2144		JSB TST9
118	L02166:	..1.1.1111	-> L2023		GO TO LVIT
119	L02167:			NO OPERATION
120	L02170:			NO OPERATION
121	L02171:	1.1111.1..		\$\$\$\$	SUB : DELAYED SELECT ROM 5
122	L02172:	1..1.11111	-> L3227		GO TO @227
123	L02173:	..1.1.1.1.		STOY	1 -> S1
124	L02174:	1.1111.11	-> L2136		GO TO STOY1
125	L02175:	111.1.111.		PR	A EXCHANGE C[W]
126	L02176:	..111.1..		\$\$\$\$	DELAYED SELECT ROM 0
127	L02177:	..1.1.11111	-> L3047		GO TO @047
128	L02200:	..1111111.		CHS2	0 - C - 1 -> C[S]
129	L02201:	11.....111.			C -> A[W]
130	L02202:	..111.1.11	-> L2070		GO TO EOP
131	L02203:	..1.1.1.1..		SWITCH	C EXCHANGE M

```

132 L02204: 111.1.111.
133 L02205: ..1.1.1.
134 L02206: 11..1...11 -> L2310
135 L02207: ..1..1... -> L1210
136 L02210: .1...1.1.
137 L02211: 1...11...11 -> L2214
138 L02212: ..11.1...1 -> L2064
139 L02213: 1...111111 -> L2207
140 L02214: ...111...1 -> L2034
141 L02215: 1...111111 -> L2207
142 L02216: ...11...1.
143 L02217: ..1...1.
144 L02220: 1...1.111.
145 L02221: ..11...111.
146 L02222: .1111.1.1.
147 L02223: 11...11.
148 L02224: ..1...11.
149 L02225: ...1.1.1.
150 L02226: 1...11...11 -> L2230
151 L02227: ...1.11...
152 L02230: 1...111...
153 L02231: ..1..1.1.
154 L02232: 11..1...111 -> L2311
155 L02233: 1.11111.
156 L02234: ...1.1.1.
157 L02235: 11..1...11 -> L2310
158 L02236: 111.1.111.
159 L02237: ..11.1.1.
160 L02240: 111.1.111.
161 L02241: 1.11111.
162 L02242: .1...1.1.
163 L02243: ..1...111.
164 L02244: 11..1...11 -> L2310
165 L02245: ...111...1 -> L2034
166 L02246: .1...1.1.
167 L02247: ..1.1111.1.
168 L02250: ..11.111.1.
169 L02251: 1.1111.111 -> L2275
170 L02252: 1.11...111 -> L2261
171 L02253: .....
172 L02254: ..11...1.
173 L02255: 1.111.1.
174 L02256: 1...1...1.
175 L02257: ...11...
176 L02260: .....
177 L02261: ..11111.1.
178 L02262: .11.111.1.
179 L02263: 1.111...11 -> L2270
180 L02264: ..1.1111.1.
181 L02265: ...1111.1.
182 L02266: 1.111...111 -> L2271
183 L02267: ..1.1111.1.
184 L02270: ...11.1...1 -> L2064
185 L02271: ..11...111.
186 L02272: .1111...1.
187 L02273: ...1...1.1 -> L2021
188 L02274: ..11...1.1.1 -> L2145
189 L02275: 1.1111111.
190 L02276: 1...111...1 -> L2216
191 L02277: ..11.1...1 -> L2064
192 L02300: ..11.1.1.
193 L02301: .1...1.1.
194 L02302: 111.1.111.
195 L02303: ..11.1.1...1 -> L2152
196 L02304: ...111.1.
197 L02305: 1...1...111 -> L2201
198 L02306: ..1...111.
199 L02307: 1.1111...
200 L02310: ..1...1... -> L1311
201 L02311: ...1.1.1.
202 L02312: 11...11.11 -> L2306
203 L02313: ..1...111.
204 L02314: .1...1.111.
205 L02315: ..11.1.1.
206 L02316: 111.1.111.

```

```

A EXCHANGE C[W]
C EXCHANGE M
GO TO SUBOUT
***** EOF : SELECT ROM 1
CON50 : IF S4 # 1
          THEN GO TO CON52
          JSB MPY
          GO TO EOF
CON53 : JSB DIV
          GO TO EOF
RCLX : 0 -> S1
RCLX1 : 1 -> S2
SAVE : B EXCHANGE C[W]
        0 -> C[W]
        C + 1 -> C[X]
        12 -> P
        LOAD CONSTANT 2
        IF S1 # 1
          THEN GO TO SAVE1
        LOAD CONSTANT 1
SAVE1 : C -> DATA ADDRESS
        IF S2 # 1
          THEN GO TO SAVE2
        DATA -> C
        IF S1 # 1
          THEN GO TO SUBOUT
A EXCHANGE C[W]
STACK -> A
A EXCHANGE C[W]
DATA -> C
C -> STACK
SAVE5 : B -> C[W]
        GO TO SUBOUT
RP1 : JSB DIV
        C -> STACK
        C - 1 -> C[X]
        IF C[X] = 0
          THEN GO TO RP6
        GO TO RP11
        NO OPERATION
RR : 1 -> S3
        0 -> S11
        0 -> S8
        RETURN
        NO OPERATION
RP11 : 0 - C - 1 -> C[X]
        IF C[X] = 0
          THEN GO TO RP5
        C - 1 -> C[X]
        IF C[X] >= 1
          THEN GO TO RP10
        C - 1 -> C[X]
RP5 : JSB MPY
RP10 : 0 -> C[W]
        C + 1 -> C[P]
        JSB ADD
        JSB SORT
RP6 : 0 -> A[S]
        JSB RCLX
        JSB MPY
        STACK -> A
        C -> STACK
        A EXCHANGE C[W]
        JSB OFL
        DELAYED SELECT ROM 0
        GO TO 0201
SAVE4 : B -> C[W]
        C -> DATA
***** SUBOUT: SELECT ROM 1
SAVE2 : IF S1 # 1
          THEN GO TO SAVE4
        B -> C[W]
        A -> B[W]
        STACK -> A
        A EXCHANGE C[W]

```

```

207 L02317: 1.1111.1111
208 L02320: 1.1.1.1.1.1.1.1
209 L02321: 11.1.1.1111
210 L02322: 1.1.1.1111 -> L2243
211 L02323: .....1111
212 L02324: 11.1.1.1.1.1 -> L3325
213 L02325: 11.1.1.1.1.1
214 L02326: 1.1.1.1.1.1 -> L2203
215 L02327: 11.1.1.1.1.1 -> L2144
216 L02330: 1.1.111.1.1.1 -> L2135
217 L02331: 1.1.1.1.1111
218 L02332: 1.1.1.1.1.1.1.1
219 L02333: 1.111.1111
220 L02334: .....1111
221 L02335: 11.1.1.1.1.1
222 L02336: 1.11.1.1111
223 L02337: 11.11.1.1.1.1
224 L02340: 1.1.1.1111 -> L2043
225 L02341: 1.1.1.1.1111
226 L02342: 1.1111.11.1.1 -> L2173
227 L02343: 11.1.1.1.1.1
228 L02344: 1.1.1.1.1.1
229 L02345: 1.1.1.1.1.1
230 L02346: 1.11111.1111 -> L2175
231 L02347: 1.1.11.1111
232 L02350: 1.1.1.1.1111 -> L2245
233 L02351: 1.1.11.1111
234 L02352: 111.11.1111 -> L2355
235 L02353: 1.1.1.1.1.1
236 L02354: 1.1.1.11111 -> L2207
237 L02355: 1.1.1.1111
238 L02356: 1.11111.1.1
239 L02357: 1.1.1.1.1.11 -> L2210
240 L02360: 1.11.1.1.1.1 -> L3361
241 L02361: 11.1.1.1111
242 L02362: 1.1.1.1.1.1
243 L02363: 1.1.1.1.1.11 -> L2210
244 L02364: 1.1.111.1.1 -> L2056
245 L02365: 1.1.1.1.1.1 -> L2021
246 L02366: 1.11.1.1111
247 L02367: 11.1.1.11.1
248 L02370: 1.1.1.11.1.1
249 L02371: 1.1.1.11.1.1
250 L02372: 1.1.1.1.1.1
251 L02373: .....1111 -> L2000
252 L02374: 1.1.111.1.1 -> L2034
253 L02375: 1.1.111.1.1 -> L2056
254 L02376: 1.1111.1.1.1 -> L2171
255 L02377: 1.1.1.11111 -> L2207
    
```

***** TST46
CON0

RP

***** CLPX
CONOUT

RP2

CON52

```

C -> DATA
C -> STACK
A EXCHANGE BCW]
GO TO SAVES
NO OPERATION
SELECT ROM 3
C -> A[P]
JSB SWITCH
JSB TST9
JSB STOX
B EXCHANGE C[W]
M -> C
0 -> A[W]
0 -> P
C -> A[P]
0 -> C[W]
A - 1 -> A[X]
IF NO CARRY GO TO CON1
B -> C[W]
JSB STOY
STACK -> A
1 -> S10
IF S4 # 1
    THEN GO TO PR
IF C[W] >= 1
    THEN GO TO RP1
IF A[W] >= 1
    THEN GO TO RP2
C -> STACK
GO TO EOF
A -> BCW]
DELAYED SELECT ROM 3
GO TO 0210
*****
SELECT ROM 3
A EXCHANGE BCW]
IF S5 # 1
    THEN GO TO CON50
JSB LD40
JSB ADD
0 -> C[W]
12 -> P
LOAD CONSTANT 1
LOAD CONSTANT 8
IF S4 # 1
    THEN GO TO CON51
JSB DIV
CON52
JSB LD40
JSB SUB
GO TO EOF
    
```

MRRL0 OBJECT PROGRAM

```

0 L03000: 111111.1111 -> L3375
1 L03001: 111.1.1.1111
2 L03002: 11.1.1.11.1.1
3 L03003: 1.1.1.11.1.1
4 L03004: 1.1111.1.1.1.1
5 L03005: 1.1.111.1.1.1
6 L03006: 1.1.1.1.1.1
7 L03007: 111.1.1.1111
8 L03010: 1.1.1.1.1.1
9 L03011: 1.11.1.1.1.1 -> L3144
10 L03012: 1.1.1.1.1.1
11 L03013: 1.1.1111.1.1
12 L03014: 1.1.1.1111 -> L3203
13 L03015: 1.1.1.1.1.1
14 L03016: 1.1111.1.1.1
15 L03017: 1.1.1.11111 -> L3207
16 L03020: 1.1.1111.1 -> L3257
17 L03021: 1.11.1.1.1.1 -> L3144
18 L03022: 1.1.1.11.1.1
19 L03023: 1.1111111111 -> L3077
20 L03024: 1.11.1.1.1.1 -> L3144
21 L03025: 11.1.1.1.1.1 -> L3325
    
```

STORE

CLOCK

RDN1

```

GO TO SA1
A EXCHANGE C[W]
12 -> P
LOAD CONSTANT 1
C + 1 -> C[X]
C -> DATA ADDRESS
C EXCHANGE M
A EXCHANGE C[W]
C EXCHANGE M
JSB TST9
C EXCHANGE M
C - 1 -> C[X]
IF NO CARRY GO TO SA2
STORE
C EXCHANGE M
C -> DATA
GO TO EOF
CLOCK
JSB RR
JSB TST9
*****
DELAYED SELECT GROUP 1
GO TO 0077
RDN1
JSB TST9
JSB TST46
    
```

22	L03026:	11...1.1...			DOWN ROTATE
23	L03027:	1...1.11111	-> L3207		GO TO EOF
24	L03030:	1111...1.1	-> L3361	EEX1 :	JSB CLPX
25	L03031:	1...1.1.1...			IF S9 # 1
26	L03032:	1...1.11111	-> L3247		THEN GO TO EEX2
27	L03033:	1...1.1.1...			B EXCHANGE C[W]
28	L03034:	1...11...11.			IF ACM] >= 1
29	L03035:	...11.1.111	-> L3065		THEN GO TO EEX3
30	L03036:	11...11...		EEX4 :	12 -> P
31	L03037:	1...111.111.			0 -> A[W]
32	L03040:	...11...111.			0 -> C[W]
33	L03041:	11111...1.			A + 1 -> ACP]
34	L03042:	...1.111...1.			C - 1 -> C[W]
35	L03043:	...1...11...			LOAD CONSTANT 2
36	L03044:	...11.1.111	-> L3065		GO TO EEX3
37	L03045:	...1111...111	-> L3171	INV :	GO TO INV1
38	L03046:	...1.11...1.		NOTGRD:	C - 1 -> C[P]
39	L03047:	...1111...1.			C + 1 -> C[P]
40	L03050:	11...1...111	-> L3311		IF NO CARRY GO TO TRIG22
41	L03051:	...1.1.1...			C EXCHANGE M
42	L03052:	11.11...1.1	-> L3331		JSB NINTY
43	L03053:	11.1...11.1	-> L3323		JSB MPY
44	L03054:	...11...1.1	-> L3061	TOGRD :	JSB HPI
45	L03055:	...1.1111.1	-> L3057		JSB DIV
46	L03056:	11...1.1.11	-> L3312		GO TO TRIG23
47	L03057:	1.1111.1...		***** DIV :	DELAYED SELECT ROM 5
48	L03060:	...111.111	-> L3075		GO TO @035
49	L03061:	...111.1...		***** HPI :	DELAYED SELECT ROM 0
50	L03062:	11...1.1.11	-> L3312		GO TO @312
51	L03063:	...1.1.1.11	-> L3024	RDN :	GO TO RDN1
52	L03064:			NO OPERATION
53	L03065:	...11...1.1.		EEX3 :	0 -> C[X]
54	L03066:	1.1...1.1...			1 -> S10
55	L03067:	1...1.111.		EOP0 :	B EXCHANGE C[W]
56	L03070:	...1...1...	-> L1071	***** EOP :	SELECT ROM 1
57	L03071:	...1.1111.1.		SA7 :	C - 1 -> C[X]
58	L03072:	...11111.11	-> L3076		IF NO CARRY GO TO STODIV
59	L03073:	111...1...	-> L3340	STOMPY:	JSB SABEG
60	L03074:	11.1...11.1	-> L3323		JSB MPY
61	L03075:	...11.1.111	-> L3151		GO TO SAEND
62	L03076:	...1.1.1...		STODIV:	C EXCHANGE M
63	L03077:	...11.1.111.			IF C[W] = 0
64	L03100:	11...1.1.11	-> L3302		THEN GO TO ERR0
65	L03101:	111...1.1	-> L3341		JSB SABEG1
66	L03102:	...1.1111.1	-> L3057		JSB DIV
67	L03103:	...11.1...111	-> L3151		GO TO SAEND
68	L03104:			NO OPERATION
69	L03105:	111...11.11	-> L3346	STO :	GO TO ST01
70	L03106:	1.111.111.		CTDA :	0 -> A[W]
71	L03107:11...			0 -> P
72	L03110:	...11...1.			C -> ACP]
73	L03111:	...1...111.		CTDA1 :	SHIFT LEFT A[W]
74	L03112:	...1111...			P + 1 -> P
75	L03113:	11...1.11...			IF P # 12
76	L03114:	...1...1.111	-> L3111		THEN GO TO CTDA1
77	L03115:	111.1.111.			A EXCHANGE C[W]
78	L03116:	1...111...			C -> DATA ADDRESS
79	L03117:	111.1.111.			A EXCHANGE C[W]
80	L03120:	...11...			RETURN
81	L03121:			NO OPERATION
82	L03122:	...11...1.1.		EEX :	IF S6 # 1
83	L03123:	...11...11	-> L3030		THEN GO TO EEX1
84	L03124:	...11...1.1	-> L3144	XFT :	JSB TST9
85	L03125:	...1.111...1	-> L3134		JSB STOX
86	L03126:	1...11.1...		***** XFT0 :	DELAYED SELECT GROUP 1
87	L03127:	...1...1...	-> L2130	***** :	SELECT ROM 2
88	L03130:	1...1111.1.		***** ADD :	DELAYED SELECT ROM 5
89	L03131:	...11...11	-> L3230		GO TO @230
90	L03132:	...1.111.1...		***** RCLY :	DELAYED SELECT ROM 2
91	L03133:	...11.1...11	-> L3150		GO TO @150
92	L03134:	...1...1...	-> L2135	***** STOX :	SELECT ROM 2
93	L03135:	...1.1.1...		OUT3 :	IF S1 # 1
94	L03136:	...11...11	-> L3140		THEN GO TO OUT2
95	L03137:	1...11...1.		OUT5 :	0 -> S9
96	L03140:	...1...1.1...		OUT2 :	IF S2 # 1


```

97 L03141: 1.1.11.111 -> L3255
98 L03142: 1.1.1.11111 -> L3207
99 L03143: .....
100 L03144: 1.1.1.1.1.1.1 -> L5145
101 L03145: 1.1.1111.1.1.
102 L03146: 1.1.1.11111 -> L3267
103 L03147: 11.1.1.1.1.1 -> L3340
104 L03150: 1.1.11.1.1.1 -> L3130
105 L03151: 1.1111.1.1.1 -> L3274
106 L03152: 1.11111.1.1.
107 L03153: 11.1.1.111.1.
108 L03154: 1.1111.1.1.1.
109 L03155: 11.1.1.111.1.
110 L03156: 1.1.1.11111 -> L3207
111 L03157: 1.1.111.1.1.1.
112 L03160: 1.1.111.11.1.1 -> L3216
113 L03161: 1.1.1110.1.1.
114 L03162: 1.1.1.1.111.1 -> L3145
115 L03163: 1.1.1.11.1.1.1 -> L3106
116 L03164: 1.1.1.1.1.1.1.
117 L03165: 1.11.1.1.1.1.
118 L03166: 1.1.1.11.11.1.1 -> L3206
119 L03167: 1.1.1.1.1.1.1.
120 L03170: 1.1.1.11.11.1.1 -> L3206
121 L03171: 1.11.1.1.1.1.1 -> L3144
122 L03172: 1.1.111.1.1.1 -> L3134
123 L03173: 11.1.1.1.1.1.1 -> L3325
124 L03174: 11.1.1.111.1.
125 L03175: 11.1.1.1.11.1.1 -> L3302
126 L03176: 1.111.111.1.1.
127 L03177: 11.1.1.11.1.1.
128 L03200: 11111.1.1.1.
129 L03201: 1.1.11111.1.1 -> L3057
130 L03202: 1.1.1.11111 -> L3207
131 L03203: 1.1.1111.1.1.
132 L03204: 1.11.1.1111.1.1 -> L3263
133 L03205: 1.11.1.1.11.1.1 -> L3164
134 L03206: 1.11111.1.1.1.
135 L03207: 1.1.1.1.1.1.1. -> L1210
136 L03210: 1.1.1.1111.1.1 -> L3257
137 L03211: 1.1.1.1.1.1.1.1 -> L3061
138 L03212: .....1111.1.
139 L03213: 1.1.1.11.111.1.1 -> L3215
140 L03214: 1.1.11111.1.1.1.
141 L03215: 1.1.1111.1.1.1 -> L3257
142 L03216: 1.1.1.1.1.1.1.
143 L03217: 1.1.1.1.11.1.1.
144 L03220: 1.1.11.1.1.1.1 -> L3132
145 L03221: 1.1.1.1.1.1.1.
146 L03222: 1.1.111.1.11.1.1 -> L3234
147 L03223: 1.11.1111.1.1.1 -> L3157
148 L03224: 1.11.11111.1.1.
149 L03225: 1.1.111.1.11.1.1 -> L3234
150 L03226: 1.11.1.1.1.1.1 -> L3061
151 L03227: 1.1.1.1.111.1.1.
152 L03230: 1.1.111111.1.1.
153 L03231: 1.1.11.11111 -> L3233
154 L03232: 1.1.111111.1.1.
155 L03233: 1.1.11.1.1.1.1 -> L3130
156 L03234: 11.1.1.111.1.1.1.
157 L03235: 1.1.1.1.111.1.1.
158 L03236: 1.1.1.1.1.1.1.1.
159 L03237: 1.1.1.1.11.1.1.1.
160 L03240: 1.1111.1.1.1.1.
161 L03241: 1.1.11.1.1.1.1.
162 L03242: 1.1.1.11.11.1.1 -> L3046
163 L03243: 1.1.1.1.1.1.1.1.
164 L03244: 11111.1.1.1.1.1.
165 L03245: 11111.1.1.1.1.1.
166 L03246: 1.1.1.11.1.1.1.1 -> L3054
167 L03247: 1.11.1.1.1.1.1.
168 L03250: 1.1.1.1.1111.1.1 -> L3253
169 L03251: 1.1.1.1.1.1.1.1.
170 L03252: 1.1.1.1.1.1.1.1.
171 L03253: 1.1.1.1.1.1.1.1.

```

```

          THEN GO TO SUBOUT
GO TO EOF
NO OPERATION
***** TST9 : SELECT ROM 5
SA5 : C - 1 -> C[XS]
          IF NO CARRY GO TO SA6
STOADD: JSB SABEG
          JSB ADD
SAEND : JSB OFL
          DATA -> C
          A EXCHANGE C[W]
          C -> DATA
          A EXCHANGE C[W]
          GO TO EOF
$$$$ RCLX : DELAYED SELECT ROM 2
          GO TO @216
SA4 : C - 1 -> C[XS]
          IF NO CARRY GO TO SA5
RCLDP : JSB CTDA
RECALL: C EXCHANGE M
          IF S7 # 1
          THEN GO TO RECLL1
          C -> STACK
          GO TO RECLL1
INV1 : JSB TST9
          JSB STOK
          JSB TST4G
          IF C[W] = 0
          THEN GO TO ERR0
          0 -> AC[W]
          12 -> P
          A + 1 -> ACP]
          JSB DIV
          GO TO EOF
SA2 : C - 1 -> C[XS]
          IF NO CARRY GO TO SA3
          GO TO RECALL
RECLL1: DATA -> C
***** EOF : SELECT ROM 1
RP2 : JSB RR
          JSB HPI
          IF B[S] = 0
          THEN GO TO ITO
          C - 1 -> C[S]
ITO : JSB RR
          C -> STACK
          C -> AC[W]
          JSB RCLY
          IF S10 # 1
          THEN GO TO TRIG20
          JSB RCLX
          IF C[S] = 0
          THEN GO TO TRIG20
          JSB HPI
TRIG50: C + C -> C[W]
          IF ACS] >= 1
          THEN GO TO TRIG21
          C - 1 -> C[S]
TRIG21: JSB ADD
TRIG20: A EXCHANGE C[W]
          C -> AC[W]
          C EXCHANGE M
          6 -> P
          C + 1 -> C[P]
          C - 1 -> C[P]
          IF NO CARRY GO TO HOTGRD
          C EXCHANGE M
          A + 1 -> AC[X]
          A + 1 -> AC[X]
          JSB TOGRD
EEX2 : IF S7 # 1
          THEN GO TO EEX5
          B EXCHANGE C[W]
          C -> STACK
EEX5 : 1 -> S9

```

```

172 L03254: 1111111111 -> L3036
173 L03255: 1111111111
174 L03256: 1111111111 -> L3311
175 L03257: 1111111111
176 L03260: 1111111111
177 L03261: 1111111111
178 L03262: 1111111111
179 L03263: 1111111111
180 L03264: 1111111111 -> L3161
181 L03265: 1111111111 -> L3106
182 L03266: 1111111111 -> L3015
183 L03267: 1111111111
184 L03270: 1111111111 -> L3071
185 L03271: 1111111111 -> L3340
186 L03272: 1111111111 -> L3336
187 L03273: 1111111111 -> L3151
188 L03274: 1111111111
189 L03275: 1111111111 -> L3021
190 L03276: 1111111111
191 L03277: 1111111111 -> L3257
192 L03300: 1111111111 -> L3132
193 L03301: 1111111111 -> L3157
194 L03302: 1111111111
195 L03303: 1111111111
196 L03304: 1111111111
197 L03305: 1111111111
198 L03306: 1111111111
199 L03307: 1111111111
200 L03310: 1111111111 -> L3067
201 L03311: 1111111111
202 L03312: 1111111111 -> L3274
203 L03313: 1111111111
204 L03314: 1111111111
205 L03315: 1111111111 -> L3207
206 L03316: 1111111111
207 L03317: 1111111111
208 L03320: 1111111111
209 L03321: 1111111111
210 L03322: 1111111111 -> L3207
211 L03323: 1111111111
212 L03324: 1111111111 -> L3117
213 L03325: 1111111111
214 L03326: 1111111111 -> L3356
215 L03327: 1111111111 -> L0330
216 L03330: 1111111111
217 L03331: 1111111111
218 L03332: 1111111111 -> L3114
219 L03333: 1111111111
220 L03334: 1111111111 -> L3135
221 L03335: 1111111111 -> L3137
222 L03336: 1111111111
223 L03337: 1111111111 -> L3227
224 L03340: 1111111111
225 L03341: 1111111111
226 L03342: 1111111111
227 L03343: 1111111111
228 L03344: 1111111111
229 L03345: 1111111111
230 L03346: 1111111111 -> L3325
231 L03347: 1111111111 -> L3361
232 L03350: 1111111111
233 L03351: 1111111111
234 L03352: 1111111111
235 L03353: 1111111111
236 L03354: 1111111111 -> L3070
237 L03355: 1111111111
238 L03356: 1111111111
239 L03357: 1111111111 -> L3255
240 L03360: 1111111111 -> L3327
241 L03361: 1111111111
242 L03362: 1111111111
243 L03363: 1111111111
244 L03364: 1111111111
245 L03365: 1111111111 -> L3255
246 L03366: 1111111111 -> L3257

```

```

***** SUBOUT: DELAYED SELECT ROM 1
GO TO @EEX4
RR : 1 -> S3
1 -> S11
1 -> S8
RETURN
SA3 : C - 1 -> C[XS]
IF NO CARRY GO TO SA4
STODP : JSB CTDA
GO TO STORE
SA6 : C - 1 -> C[XS]
IF NO CARRY GO TO SA7
STOCUR: JSB SAPEB
JSB SHP
GO TO SAEND
***** OFL : DELAYED SELECT ROM 5
GO TO @021
NO OPERATION
ERR1 : JSB RR
JSB RCLY
JSB RCLX
ERR0 : C EXCHANGE M
12 -> P
0 -> C[P]
C EXCHANGE M
CLEAR STATUS
1 -> S5
GO TO EOP0
TRIG22: C EXCHANGE M
TRIG23: JSB OFL
0 -> S9
IF S10 # 1
THEN GO TO EOF
STACK -> A
C -> STACK
0 -> A[S]
A EXCHANGE C[W]
GO TO EOF
***** MPY : DELAYED SELECT ROM 5
GO TO @117
TST46 : IF S4 # 1
THEN GO TO TST6
***** YES : SELECT ROM 0
NO OPERATION
***** NINTY : DELAYED SELECT ROM 0
GO TO @114
OUT : IF S2 # 1
THEN GO TO OUT3
GO TO OUT5
***** SUB : DELAYED SELECT ROM 5
GO TO @227
SABEG : C EXCHANGE M
SABEG1: C -> A[W]
DATA -> C
A EXCHANGE C[W]
C -> DATA
RETURN
ST01 : JSB TST46
JSB CLPX
C EXCHANGE M
0 -> C[XS]
1 -> S2
C EXCHANGE M
GO TO EOP
NO OPERATION
TST6 : IF S6 # 1
THEN GO TO SUBOUT
GO TO YES
CLPX : 0 -> S6
0 -> S2
0 -> S4
0 -> S1
GO TO SUBOUT
SA : JSB RR

```

247 L03367: 1.1.1.1.1
 248 L03370: 111.1.1.111
 249 L03371: 1.1.1.1.1
 250 L03372: 1.1.1.1.1
 251 L03373: 1.1.1.1.1
 252 L03374: 111.1.1.111
 253 L03375: 1.1.1.1.111
 254 L03376: 1.1.1.111.1
 255 L03377: 1.111.1.1.1

 0 L04000: 1.1.1.1.1
 1 L04001: 1.1.1.1.1.1 -> L4232
 2 L04002: 1.1.1.11.1.1 -> L4116
 3 L04003: 1.1.1.1.1.1
 4 L04004: 1.1.1.111.1 -> L4227
 5 L04005: 1.1.1.1.1.1
 6 L04006: 1.1.1.1.1.1 -> L4061
 7 L04007: 1.111.1.1.1 -> L4270
 8 L04010: 1.1.1.1.111
 9 L04011: 1.1.1.111.1.1 -> L4116
 10 L04012: 1.111.1.1.1 -> L4271
 11 L04013: 1.1.1111.1.1 -> L4137
 12 L04014: 1.1.1.1.1.1 -> L4103
 13 L04015: 1.1.1.11.1.1 -> L4267
 14 L04016: 1.1.1.11.1.1 -> L4226
 15 L04017: 1.1.1.1.1.1
 16 L04020: 1.1.1.11.1.1 -> L4246
 17 L04021: 1.1.1.1.1.1 -> L4141
 18 L04022: 1.1.1.111.1.1 -> L4117
 19 L04023: 1.1.111.1.1.1 -> L4135
 20 L04024: 1.1.1.1.1.1 -> L4061
 21 L04025: 1.1.1.1.1.1 -> L4264
 22 L04026: 1.1.1.1.111
 23 L04027: 1.111.1.1.1 -> L4270
 24 L04030: 1.1.1.11.1.1 -> L4116
 25 L04031: 1.1.1.111.1.1 -> L4117
 26 L04032: 1.1.1.1.1.1 -> L4061
 27 L04033: 1.1.1.1.1.1 -> L4266
 28 L04034: 1.1.1.1.111
 29 L04035: 1.1.1.11.1.1 -> L4267
 30 L04036: 1.1.1.11.1.1 -> L4116
 31 L04037: 1.1.1.1.1.1
 32 L04040: 1.1.1.1.1.1 -> L4226
 33 L04041: 1.111.1.1.1 -> L4271
 34 L04042: 1.1.1.1.1.1 -> L4103
 35 L04043: 1.1.1.1.1.1
 36 L04044: 1.1.1.1.1.1 -> L4210
 37 L04045: 1.111.1.1.1
 38 L04046: 1.1.1.1.1.1 -> L4054
 39 L04047: 1.11.1.1.1.1
 40 L04050: 1.1.1.1.1.1 -> L4310
 41 L04051: 1.1.111.1.1
 42 L04052: 1.1.111.1.1
 43 L04053: 1.1.1.1.1.1 -> L4310
 44 L04054: 1.1.1.1.1.1 -> L4243
 45 L04055: 1.1.1.1.1.1 -> L4266
 46 L04056: 1.1.1.11.1.1 -> L4117
 47 L04057: 1.1.1.1.1.1 -> L4243
 48 L04060: 1.1.1.1.1.1 -> L4206
 49 L04061: 1.1.1.1.111
 50 L04062: 1.1.1.1.111 -> L4243
 51 L04063: 1.1.1.1.1.1 -> L4144
 52 L04064: 1.1.1.1.1.1
 53 L04065: 1.11.1.1.1.1
 54 L04066: 1.1.11.1.1.1 -> L4134
 55 L04067: 1.1.11.1.1.1 -> L4135
 56 L04070: 1.1.1.1.1.1 -> L4006
 57 L04071: 1.1.1.1.1.1
 58 L04072: 1.1.1.1.1.1 -> L4112
 59 L04073: 1.1.1.1.1.1
 60 L04074: 1.1.1.1.1.1 -> L4243
 61 L04075: 1.111.1.1.1 -> L4271
 62 L04076: 1.111.1.1.1
 63 L04077: 1111.1.1.1

C EXCHANGE M
 A EXCHANGE C[W]
 C EXCHANGE M
 0 -> P
 C -> ACP]
 A EXCHANGE C[W]
 SA1 : SHIFT LEFT A[W]
 P + 1 -> P
 IF P # 11

 RETURN
 FIT5 : JSB RCLX
 JSB MPY
 STACK -> A
 JSB ADD
 C -> STACK
 FIT3 : JSB STAT
 JSB R1
 C -> A[W]
 JSB MPY
 JSB R0
 JSB ECHK3
 JSB DIV
 JSB R2
 JSB SUB
 IF S6 # 1
 THEN GO TO FIT0
 JSB ECHK1
 JSB STK
 JSB STOY
 LIN11 : JSB STAT
 JSB R5
 C -> A[W]
 JSB R1
 JSB MPY
 JSB STK
 JSB STAT
 JSB R3
 C -> A[W]
 JSB R2
 JSB MPY
 STACK -> A
 JSB SUB
 JSB R0
 JSB DIV
 C -> STACK
 GO TO LIN12
 \$\$\$\$ SIGP0 : DELAYED SELECT ROM 5
 GO TO 0054
 RETIN1 : IF S7 # 1
 THEN GO TO SIGP
 C - 1 -> C[XS]
 IF C[XS] >= 1
 THEN GO TO SIGP
 RECSIG : JSB EXX
 JSB R3
 JSB STK
 JSB EXX
 GO TO RSIG1
 STAT : A EXCHANGE C[W]
 GO TO EXX
 -FIT : JSB TST9
 0 -> S4
 1 -> S7
 JSB STOX
 JSB STOY
 GO TO FIT3
 N : IF S4 # 1
 THEN GO TO N1
 0 -> S4
 JSB EXX
 JSB R0
 0 -> A[W]
 A + 1 -> ACP]

```

64 L04100: 11.1...111 -> L4321
65 L04101: 1.1111.1..
66 L04102: ...1...111 -> L4021
67 L04103: 1.1111.1..
68 L04104: ...111.111 -> L4035
69 L04105: 1..111...1 -> L4234
70 L04106: .11...1..
71 L04107: 1.11..1.11 -> L4262
72 L04108: .11111.1..
73 L04111: 11.1.1.111 -> L4325
74 L04112: .1..1.1...
75 L04113: 1..11...1 -> L4230
76 L04114: 1.11...11 -> L4260
77 L04115: ..1..11111 -> L4047
78 L04116: 1.1..1.... -> L5117
79 L04117: .11.1.1...
80 L04120: .1..1.1...
81 L04121: ...11....
82 L04122: 1.1.11.111 -> L4255
83 L04123: 1.1.....1 -> L4240
84 L04124: 1.11.11..1 -> L4266
85 L04125: .111...1..
86 L04126: 11.1...111 -> L4321
87 L04127: 1..11.1..1 -> L4232
88 L04130: 1.1...11.1 -> L4243
89 L04131: 1.111...1 -> L4270
90 L04132: .1.....1..
91 L04133: 11.1...111 -> L4321
92 L04134: .1...1.... -> L2135
93 L04135: .1.111.1..
94 L04136: .1111.1111 -> L4173
95 L04137: ...111111.
96 L04140: 1.1111.11 -> L4276
97 L04141: .11.1..11.
98 L04142: 1.11111.11 -> L4276
99 L04143: ...11....
100 L04144: 1.1...1.... -> L5145
101 L04145: 1.111.111.
102 L04146: 11111...1.
103 L04147: 1..1.11..1 -> L4226
104 L04150: 1111111..1 -> L4376
105 L04151: .1..1111.1 -> L4117
106 L04152: .1.111.1.1 -> L4135
107 L04153: ..11...1.1 -> L4061
108 L04154: 1.11.11..1 -> L4266
109 L04155: .11...111.
110 L04156: .1..111..1 -> L4116
111 L04157: 1.111..1.1 -> L4271
112 L04160: .1...11.1 -> L4103
113 L04161: 1.11.1.1.1 -> L4265
114 L04162: 1..1.11..1 -> L4226
115 L04163: .1..1111.1 -> L4117
116 L04164: ...11.11 -> L4006
117 L04165: .1.111...1 -> L4270
118 L04166: .1..1111.1 -> L4117
119 L04167: 1..11...1 -> L4230
120 L04170: .1..1.111.
121 L04171: .1..1111.1 -> L4117
122 L04172: ..1...111.
123 L04173: 111.1.111.
124 L04174: .1...11.1 -> L4103
125 L04175: .1...1.1..
126 L04176: 1.....111 -> L4201
127 L04177: ..11.1111.
128 L04200: 1..1111..1 -> L4236
129 L04201: .1.....1.1 -> L4101
130 L04202: .111.1.1..
131 L04203: 1....11111 -> L4207
132 L04204: .1111..1..
133 L04205: .111.11.11 -> L4166
134 L04206: 1.111...1 -> L4270
135 L04207: ..1..1.... -> L1210
136 L04210: .111...1.1 -> L4061
137 L04211: 1.111...1 -> L4270
138 L04212: .11...111.

```

```

IF NO CARRY GO TO CUMY
***** OFL : DELAYED SELECT ROM 5
GO TO @021
***** DIV : DELAYED SELECT ROM 5
GO TO @035
F : JSB CLPX
1 -> S6
GO TO EOP
***** TST46 : DELAYED SELECT ROM 3
GO TO @325
N1 : C -> STACK
JSB RCLY
GO TO ENT2
RETIN : GO TO RETIN1
***** MPY : SELECT ROM 5
STK : STACK -> A
C -> STACK
RETURN
ENT : GO TO ENT1
Y1 : JSB WHY
JSB R3
1 -> S7
GO TO CUMY
X1 : JSB RCLX
JSB EXX
JSB R1
1 -> S4
GO TO CUMY
***** STOX : SELECT ROM 2
***** STOY : DELAYED SELECT ROM 2
GO TO @173
ECHK3 : IF C[S] >= 1
THEN GO TO ERR1
ECHK1 : IF C[M] = 0
THEN GO TO ERR1
RETURN
***** TST9 : SELECT ROM 5
STD : 0 -> A[W]
A + 1 -> ACP]
JSB SUB
JSB ECHK2
JSB STK]
JSB STOY
JSB STAT
JSB R3
C -> A[W]
JSB MPY
JSB R0
JSB DIV
JSB R4
JSB SUB
JSB STK
GO TO FIT3
LIN0 : JSB R1
LIN1 : JSB STK
JSB RCLY
A -> B[W]
JSB STK
R -> C[W]
A EXCHANGE C[W]
JSB DIV
IF S4 # 1
THEN GO TO LIN2
0 -> C[S]
JSB SQRT
LIN2 : JSB OFL
IF S7 # 1
THEN GO TO EOP
0 -> S7
GO TO LIN1
***** RSIG1 : JSB R1
EOP : SELECT ROM 1
LIN12 : JSB STAT
JSB R1
C -> A[W]

```

```

139 L04213: 1.11.11.1.1 -> L4266
140 L04214: 1.1.111.1.1 -> L4116
141 L04215: 1.111.1.1.1 -> L4271
142 L04216: 1.1.1.11.1 -> L4103
143 L04217: 1.11.1.1.1 -> L4264
144 L04220: 1.1.1.11.1 -> L4226
145 L04221: 1.111.1.1.1
146 L04222: 1.1.1.11.1 -> L4001
147 L04223: 1.1.1111.1 -> L4117
148 L04224: 111.1.111.1
149 L04225: 1.11.1.11.1 -> L4166
150 L04226: 1.1111111.1
151 L04227: 1.1.1.1.1.1 -> L5230
152 L04230: 1.1.111.1.1
153 L04231: 1.1.1.1.11 -> L4150
154 L04232: 1.1.111.1.1
155 L04233: 1.1.111.11 -> L4216
156 L04234: 1.1111.1.1
157 L04235: 1.11.1.11.1 -> L4361
158 L04236: 1.111.1.1
159 L04237: 1.1.1.1111 -> L4053
160 L04240: 1.11.1.1.1
161 L04241: 1.11.1.111.1
162 L04242: 1.1.1.1.1
163 L04243: 1.11.1.111.1
164 L04244: 1.1.1.11.1
165 L04245: 1.1.1.11.1
166 L04246: 1.1.1.1.1
167 L04247: 1.11.1.1111 -> L4343
168 L04250: 1.11.1.11.1 -> L4166
169 L04251: 1.111.1.1
170 L04252: 1.111.1.1
171 L04253: 1.1.1.1.1
172 L04254: 1.1.1.1.1
173 L04255: 1.11.1.1.1 -> L4144
174 L04256: 1.1.1.1.1 -> L4110
175 L04257: 1.1.1.1.1
176 L04260: 1.1.1.1.111.1
177 L04261: 1.1.1.1.1
178 L04262: 1.1111.1.1
179 L04263: 1.111.1.111 -> L4071
180 L04264: 1.1.11.1.1
181 L04265: 1.1.11.1.1
182 L04266: 1.1.11.1.1
183 L04267: 1.1.11.1.1
184 L04270: 1.1.11.1.1
185 L04271: 1.1.1.1.111.1
186 L04272: 1.1.111.1.1
187 L04273: 1.1.1.1.1.1
188 L04274: 1.11111.1.1
189 L04275: 1.1.1.1.1.1
190 L04276: 1.11.1.1.1 -> L3277
191 L04277: 1.111.1.1.1
192 L04300: 1.111.1.111 -> L4071
193 L04301: 1.1111.1.1
194 L04302: 1.1.11.1.1 -> L4232
195 L04303: 1.1.1.1.11.1 -> L4243
196 L04304: 1.1.11.1.1 -> L4264
197 L04305: 1.11.1.1.111.1
198 L04306: 1.1.1.1.1
199 L04307: 1.1.1111111 -> L4317
200 L04310: 1.1.111.1.1 -> L4135
201 L04311: 1.1111.1.1
202 L04312: 1.1.1.1.1
203 L04313: 1.1.1.1.1 -> L4240
204 L04314: 1.1.11.1.1 -> L4265
205 L04315: 1.11.1.111.1
206 L04316: 1.1.1.1.111.1
207 L04317: 1.1.111.1.1 -> L4116
208 L04320: 1.11111.1
209 L04321: 1.11.1.1.111.1
210 L04322: 1.1.1.1.1
211 L04323: 1.1.1.1.111 -> L4325
212 L04324: 1.1111111.1
213 L04325: 1.1.1.111.1 -> L4227

```

```

JSB R3
JSB MPY
JSB R0
JSB DIV
JSB R5
JSB SUB
IF S7 # 1
    THEN GO TO FIT5
JSB STK
A EXCHANGE C[W]
GO TO LIN1
SUB : 0 - C - 1 -> C[S]
***** ADD : SELECT ROM 5
$$$$$ RCLY : DELAYED SELECT ROM 2
GO TO @150
$$$$$ RCLX : DELAYED SELECT ROM 2
GO TO @216
$$$$$ CLPX : DELAYED SELECT ROM 3
GO TO @301
$$$$$ SORT : DELAYED SELECT ROM 0
GO TO @353
WHY : STACK -> A
A EXCHANGE C[W]
C -> STACK
EXX : C -> A[W]
12 -> P
RETURN
FIT0 : IF S4 # 1
    THEN GO TO FIT1
GO TO LIN1
RR : 0 -> S3
0 -> S11
1 -> S8
RETURN
ENT1 : JSB TST9
JSR TST46
C -> STACK
ENT2 : B EXCHANGE C[W]
CLEAR STATUS
$$$$$ EOP : DELAYED SELECT ROM 1
GO TO @071
R5 : C - 1 -> C[P]
R4 : C - 1 -> C[P]
R3 : C - 1 -> C[P]
R2 : C - 1 -> C[P]
R1 : C - 1 -> C[P]
R0 : A - C -> C[W]
C -> DATA ADDRESS
NO OPERATION
DATA -> C
RETURN
***** ERR1 : SELECT ROM 3
XY : IF S7 # 1
    THEN GO TO N
0 -> S7
JSB RCLX
JSB EXX
JSB R5
A EXCHANGE C[W]
STACK -> A
GO TO XYA
SIGP : JSB STOY
0 -> S7
1 -> S10
Y2 : JSB WHY
JSB R4
X2A : A EXCHANGE C[W]
C -> A[W]
XYA : JSB MPY
DATA -> C
CUMY : A EXCHANGE C[W]
IF S6 # 1
    THEN GO TO CUMY1
0 - C - 1 -> C[S]
CUMY1 : JSB ADD

```

```

214 L04326: 1.1.1.1.1.1 -> L4101
215 L04327: 1.1111.1.1.1.1
216 L04330: 1.1.1.1.1.1
217 L04331: 1.111111111 -> L4277
218 L04332: 1.111.1.1.1.1
219 L04333: 1.1.1.1111 -> L4123
220 L04334: 1.1.1.1.1.1
221 L04335: 1.1.1.11111 -> L4127
222 L04336: 1.1.11.1.1.1 -> L4232
223 L04337: 1.1.1.11.1.1 -> L4243
224 L04340: 1.1.1.111.1 -> L4267
225 L04341: 1.1.1.1.1.1
226 L04342: 11.1.11.111 -> L4315
227 L04343: 1.11.1.1.1.1 -> L4141
228 L04344: 1.111.1.1.1.1
229 L04345: 11111.1.111 -> L4371
230 L04346: 1.1111.1.1.1.1
231 L04347: 1.1.1.1.1.11 -> L4024
232 L04350: 1.1.1.1.1.1.1 -> L4251
233 L04351: 1.11.1.1.1.1 -> L4144
234 L04352: 1.1.111.1.1.1 -> L4134
235 L04353: 1.1.111.1.1.1 -> L4135
236 L04354: 1.111.1.1.1.1
237 L04355: 1.11.1.1.1.1 -> L4061
238 L04356: 1.111.1.1.1.1 -> L4271
239 L04357: 1.11.1.1.1.1
240 L04360: 1.11.1.1.111 -> L4145
241 L04361: 1.1.11111.1 -> L4137
242 L04362: 1.1.11111.1 -> L4117
243 L04363: 1.1.111.1.1.1 -> L4135
244 L04364: 1.11.1.1.1.1 -> L4061
245 L04365: 1.1.11.11.1.1 -> L4266
246 L04366: 1.1.11111.1 -> L4117
247 L04367: 1.11.1.1.1.1 -> L4061
248 L04370: 1.111.1.1.111 -> L4165
249 L04371: 1.11.1.1.1.1
250 L04372: 1.1.1.1.11.1 -> L4103
251 L04373: 1.1.1.1.1.1
252 L04374: 1.1.11.1.1.1 -> L4230
253 L04375: 1.1.1.11111 -> L4207
254 L04376: 1.11.11111.1
255 L04377: 1.11111.11 -> L4276

```

```

0 L05000: 1.11.111.1.1
1 L05001: 1.111.11.1.1
2 L05002: 1.1.1.1.1.11 -> L5004
3 L05003: 1.1.1.1.1.11 -> L5010
4 L05004: 1.111.1.1.1.1
5 L05005: 1.1111.1.1.1.1 -> L5007
6 L05006: 1.111.1.1.1.1
7 L05007: 1.1.1.1.1.1.1
8 L05010: 1.111.1.1.1.1
9 L05011: 1.1.1.1.111.1
10 L05012: 1.1.11.1.1.11 -> L5132
11 L05013: 1.11.1.1.1.1.1
12 L05014: 1.1.111.1.1.1
13 L05015: 1.11.11.1.1.1
14 L05016: 111.1.1.1.1.1
15 L05017: 11.1.1.1.1.11 -> L5322
16 L05020: 1.11.1.111.1.1
17 L05021: 1.11.1.111.1.1
18 L05022: 11.1.1.11.1.1
19 L05023: 1.1.1.1.1.1.1
20 L05024: 1.11.1.1.1.1.1
21 L05025: 1.11.111.1.1.1
22 L05026: 1.11.1.1.1.11 -> L5032
23 L05027: 1.1.1.1.1.1.1
24 L05030: 1.11111.1.1.1
25 L05031: 1.1.1.1.1111 -> L5013
26 L05032: 111.1.1.1.1.1
27 L05033: 1.11.1.111.1.1
28 L05034: 11.1.1.1.1.11 -> L5310
29 L05035: 11.1.1.1.1.1
30 L05036: 1.1.1.1.111.1

```

```

JSB OFL
C -> DATA
IF S10 # 1
    THEN GO TO XY
IF S7 # 1
    THEN GO TO Y1
IF S4 # 1
    THEN GO TO X1
X2 : JSB RCLX
    JSB EXX
    JSB R2
    0 -> S10
    GO TO X2A
FIT1 : JSB ECHK1
    IF S7 # 1
        THEN GO TO FIT2
    0 -> S7
    GO TO LIN11
MS1 : JSB RR
    JSB TST9
    JSB STOY
    JSB STOU
    1 -> S7
    JSB STAT
    JSB R0
    IF S6 # 1
        THEN GO TO STD
MEAN : JSB ECHK3
    JSB S1K
    JSB STOU
    JSB STAT
    JSB R3
    JSB STI
    JSB STAT
    GO TO LINO
FIT2 : STACK -> A
    JSB DIV
    C -> STACK
    JSB RCLY
    GO TO EOF
ECHK2 : IF C[S] = 0
    THEN GO TO ERR1

ENT10 : C - 1 -> C[W]
    IF P # 3
        THEN GO TO ENT13
    GO TO ENT14
ENT13 : IF S7 # 1
    THEN GO TO ENT12
    P - 1 -> P
ENT12 : SHIFT RIGHT C[W]
ENT14 : C -> A[X]
    B EXCHANGE C[W]
    GO TO EOP
OFL1 : 0 -> C[W]
    C - 1 -> C[W]
    0 -> C[X]
    A + B -> A[X]
    IF NO CARRY GO TO HALT
OFL2 : 0 -> C[W]
OFL : C -> A[W]
OFL4 : 12 -> P
    A -> B[X]
    C -> A[X]
    IF C[X] = 0
        THEN GO TO OFL5
    0 - C -> C[X]
    C - 1 -> C[X]
    IF NO CARRY GO TO OFL1
OFL5 : A EXCHANGE C[X]
    C -> A[W]
    GO TO SUBOUT
DIV : 12 -> P
DIV2 : 0 -> B[W]

```

```

31 L05037: ...11...1...
32 L05040: ...1...1...
33 L05041: 11...11...
34 L05042: 1...11...11 -> L5246
35 L05043: 1...1...111...
36 L05044: 11...1...11 -> L5310
37 L05045: 1...1...1...1 -> L5205
38 L05046: ...1...1...
39 L05047: ...1111...1111 -> L5173
40 L05050: ...1111...1...
41 L05051: ...1111...1111 -> L5173
42 L05052: ...111...11...
43 L05053: 1...11...111 -> L5131
44 L05054: 11...111...1 -> L5316
45 L05055: ...11...1...1...1 -> L5145
46 L05056: ...1111...1...
47 L05057: ...1...1...1...
48 L05060: 1...1...111 -> L5111
49 L05061: ...111...1...
50 L05062: 1...1...111 -> L5111
51 L05063: 1...1...1...1 -> L5205
52 L05064: ...1...1...1...
53 L05065: ...1111...111 -> L5075
54 L05066: ...1111...1...
55 L05067: ...1111...111 -> L5075
56 L05070: ...11...11...
57 L05071: 1...11...111 -> L5131
58 L05072: 1...1...1...
59 L05073: 1...11...1...
60 L05074: ...1...1... -> L1075
61 L05075: ...1...1...
62 L05076: ...11...1...1...1 -> L5145
63 L05077: 1...1...11...1 -> L5203
64 L05100: 1...111...1...1 -> L5134
65 L05101: ...11...1...
66 L05102: 1...1111...1 -> L5117
67 L05103: 1...1...1...11 -> L5202
68 L05104: ...1...1...
69 L05105: 1...1...1...1 -> L5205
70 L05106: 1...11...1111 -> L5263
71 L05107: ...11...1...
72 L05110: ...11...1...11 -> L5152
73 L05111: 1...1...1...
74 L05112: 1...111...1...1 -> L5134
75 L05113: 1...1...1...
76 L05114: 1...11...1...1 -> L5115
77 L05115: 1...111...1...
78 L05116: 1...1...1...111 -> L5251
79 L05117: ...1...1...1...1...
80 L05120: ...11...11...
81 L05121: ...1111...11 -> L5036
82 L05122: 1...1...1...1...1 -> L5205
83 L05123: 1...1...1...11 -> L5212
84 L05124: ...1...1...
85 L05125: ...11...1...1...
86 L05126: 1...1...111...
87 L05127: 1111...11...11 -> L5366
88 L05130: 1...1...11...
89 L05131: ...1...1...
90 L05132: ...1111...1...
91 L05133: ...111...1111 -> L5071
92 L05134: 1...1...1... -> L2135
93 L05135: ...1...11...
94 L05136: 1...1...1...
95 L05137: 111...1...1...11 -> L5352
96 L05140: 1...1...1...
97 L05141: 1...1...1...111 -> L5125
98 L05142: 1...1...1...
99 L05143: ...1...11...
100 L05144: 1...1...11111 -> L5107
101 L05145: 1...1...1...
102 L05146: 11...1...111 -> L5304
103 L05147: ...111...1...
104 L05150: 1...11...1...
105 L05151: 1...1...1...

```

```

0 -> S1
0 -> S2
***** DIV3 : DELAYED SELECT ROM 6
GO TO @246
HPI1 : C + C -> C[W]
IF NO CARRY GO TO SUBOUT
DIV1 : JSB SETUP
IF S2 # 1
THEN GO TO DIV9
IF C[X]S1 >= 1
THEN GO TO DIV9
LOAD CONSTANT 7
GO TO ADD11
SIGP : JSB RR
JSB TST9
0 -> S7
IF S2 # 1
THEN GO TO SIGP1
1 -> S7
GO TO SIGP1
MPY1 : JSB SETUP
IF S2 # 1
THEN GO TO MPY9
IF C[X]S1 >= 1
THEN GO TO MPY9
LOAD CONSTANT 6
GO TO ADD11
SFT9 : 1 -> S9
***** LDIS : DELAYED SELECT GROUP 1
***** MPY9 : C EXCHANGE M
JSB TST9
JSB TST6
JSB STOX
STACK -> A
JSB MPY
GO TO EOF
NO OPERATION
ADD1 : JSB SETUP
GO TO ADD9
CHK0 : C -> A[P]
GO TO CHK
SIGP1 : 0 -> S4
JSB STOX
M -> C
JSB SIGP2
***** SIGP2 : DELAYED SELECT ROM 4
GO TO @251
MPY : 0 - C -> C[X]
3 -> P
GO TO DIV2
SUB1 : JSB SETUP
GO TO SUB8
NO OPERATION
ENT2 : C -> A[W]
B EXCHANGE C[W]
GO TO ENT15
ADD10 : LOAD CONSTANT 4
ADD11 : C EXCHANGE M
***** EOP : DELAYED SELECT ROM 1
GO TO @071
***** STOX : SELECT ROM 2
DIGNET : 1 -> P
IF S9 # 1
THEN GO TO ENT1
IF S10 # 1
THEN GO TO ENT2
SHIFT LEFT A[W]
0 -> P
GO TO CHK0
TST9 : IF S9 # 1
THEN GO TO TS19A
UNW : 1 -> S7
0 -> S9
0 -> S10

```

106 L05152: 111.1.111.
 107 L05153: 111.1.111.
 108 L05154: 111.1.111.11 -> L5020
 109 L05155: 111.1.111.
 110 L05156: 111.111.1.
 111 L05157: 111.1.111.11 -> L5161
 112 L05160: 111.1.1.111 -> L6161
 113 L05161: 111.1.1.111.
 114 L05162: 111.1.1.111.
 115 L05163: 111.1.1.111.
 116 L05164: 111.1.1.111.
 117 L05165: 1.111111111 -> L5277
 118 L05166: 11.11.1.1.1.
 119 L05167: 111.1.111.111.
 120 L05170: 1.1.1.111.11.
 121 L05171: 1.1.1111111 -> L5257
 122 L05172: 111.1.11111 -> L5313
 123 L05173: 1.1.1.1.1.1.
 124 L05174: 111.1.1.1.1 -> L5145
 125 L05175: 1.1111.1.1 -> L5134
 126 L05176: 111.1.111.11.
 127 L05177: 111.1.1.111 -> L5210
 128 L05200: 111.1.1.1.1.
 129 L05201: 111.111.1.1 -> L5035
 130 L05202: 111.1.1.1.1.1 -> L4203
 131 L05203: 1.11111.1.1.
 132 L05204: 111.111.11.11 -> L5356
 133 L05205: 1.1.1.111.11.
 134 L05206: 1.1.1.1.1.1.1.
 135 L05207: 111.1.1.1.1.1.
 136 L05210: 1.11111.1.1.
 137 L05211: 111.1.1.1.11 -> L5302
 138 L05212: 1.1.1.1.1.1.1.
 139 L05213: 1.1.1.111.11 -> L5216
 140 L05214: 1.11.111.1.1.
 141 L05215: 1.1.1.1.111.11 -> L5225
 142 L05216: 1.1.1.1.1.1.1.
 143 L05217: 111.1.1.1.1.1 -> L5145
 144 L05220: 1.1.1.1.11.1 -> L5203
 145 L05221: 1.1.111.1.1.1 -> L5134
 146 L05222: 1.11.1.1.1.1.1.
 147 L05223: 1.1.1.111.1.1 -> L5227
 148 L05224: 1.1.1.1.1.11 -> L5202
 149 L05225: 1.1.1.11.1.1.1.
 150 L05226: 1.1.11.1.111 -> L5131
 151 L05227: 1.111111111.
 152 L05230: 1.1.11.1.1.1.
 153 L05231: 1.1.1.1.1.1.1.
 154 L05232: 111.1.1.11.1.
 155 L05233: 1.1.1.1.111.1.
 156 L05234: 11111111.1.
 157 L05235: 11111111.1.
 158 L05236: 1.11111.1.1.
 159 L05237: 1.111111.1.1.
 160 L05240: 1.1.1.1.1.1.1.
 161 L05241: 1.1.1.1.1111 -> L5243
 162 L05242: 111.1.1.111.1.
 163 L05243: 111.1.1.111.1.
 164 L05244: 111.1.1.111.1.
 165 L05245: 1.1.1.11111 -> L5247
 166 L05246: 111.1.1.111.1.
 167 L05247: 1.1.1.1.1.1.1.
 168 L05250: 1.1.1.1.1.1.1.
 169 L05251: 1.11111.11 -> L5276
 170 L05252: 1.1.1.1.111.1.
 171 L05253: 11111.1.1.1.
 172 L05254: 1.1.1.1.111.1.
 173 L05255: 1.11111.11 -> L5276
 174 L05256: 1.1.1.1.1.11 -> L5250
 175 L05257: 1.1.11.1.1.1.1.
 176 L05260: 111.1.11111 -> L5313
 177 L05261: 1.1.1.1.111.1.
 178 L05262: 1.111.11.11 -> L5166
 179 L05263: 1.1.1.1.1.1.1.
 180 L05264: 1.11.111111 -> L5267

CHK : A EXCHANGE C[W]
 IF C[M] = 0
 THEN GO TO OFL2
 C -> AC[W]
 IF C[X] = 0
 THEN GO TO UNW7

 SELECT ROM 6
 UNW7 : 0 -> B[X]
 A EXCHANGE B[X]
 13 -> P
 UNW8 : IF B[P] = 0
 THEN GO TO UNW1
 UNW5 : A - 1 -> A[X]
 P - 1 -> P
 IF P # 2
 THEN GO TO UNW3
 GO TO UNW9
 DIV9 : C EXCHANGE M
 JSB TST9
 JSB STOX
 IF C[W] = 0
 THEN GO TO ERRO
 STACK -> A
 DIV10 : JSB DIV
 EOF : SELECT ROM 4

 \$\$\$ TST6 : DELAYED SELECT ROM 3
 GO TO 0356
 SETUP : 2 -> P
 C EXCHANGE M
 RETURN

 \$\$\$ CRR0 : DELAYED SELECT ROM 3
 GO TO 0302
 SUB8 : IF S2 # 1
 THEN GO TO SUB9
 IF C[X] = 0
 THEN GO TO SUB10
 SUB9 : C EXCHANGE M
 JSB TST9
 JSB TST6
 JSB STOX
 STACK -> A
 JSB SUB
 GO TO EOF
 SUB10 : LOAD CONSTANT 5
 GO TO ADD11
 SUB : 0 - C - 1 -> C[S]
 ADD : 0 -> S1
 0 -> S2
 12 -> P
 ADD3 : 0 -> B[W]
 A + 1 -> A[X]
 A + 1 -> A[X]
 C + 1 -> C[X]
 C + 1 -> C[X]
 IF A >= C[X]
 THEN GO TO ADD4
 ADD4 : A EXCHANGE C[W]
 A EXCHANGE C[M]
 IF C[M] = 0
 THEN GO TO ADD5
 ADD5 : A EXCHANGE C[W]
 B EXCHANGE C[M]
 ADD6 : IF A >= C[X]
 THEN GO TO ADD7
 SHIFT RIGHT B[W]
 A + 1 -> A[X]
 IF B[W] = 0
 THEN GO TO ADD7
 UNW3 : IF C[P] >= 1
 THEN GO TO UNW9
 SHIFT LEFT A[M]
 GO TO UNW3
 ADD8 : IF S2 # 1
 THEN GO TO ADD9


```

181 L05265: 111.111.1.
182 L05266: 1.1.11.11 -> L5130
183 L05267: 1.1.1.1.1.
184 L05270: 11.1.1.1.1 -> L5145
185 L05271: 1.1.1.11.1 -> L5203
186 L05272: 1.1.111.1.1 -> L5134
187 L05273: 1.11.1.1.1.
188 L05274: 1.1.11.1.1.1 -> L5230
189 L05275: 1.1.1.1.1.11 -> L5202
190 L05276: 11.1.1.1.1.1 -> L6277
191 L05277: 1.1.1.111.1.
192 L05300: 1.1.11.1.1.1.
193 L05301: 11.1.1.1.111 -> L5311
194 L05302: 1.1.1.1.11.
195 L05303: 1.111.1.1.11 -> L5164
196 L05304: 1.1.1.1.111.
197 L05305: 1.1.11.1.11.
198 L05306: 11.1.1.1.11 -> L5310
199 L05307: 1.11.1.111.
200 L05310: 1.1.1.1.1.1.1 -> L1311
201 L05311: 1.1.1.1.1.1.1.
202 L05312: 11.11.1.1111 -> L5333
203 L05313: 1111.1.1.1.
204 L05314: 111.1.1.111.
205 L05315: 11.1111.1.1 -> L5336
206 L05316: 1.11.1.1.1.
207 L05317: 1.11.1.1.1.
208 L05320: 1.1.1.1.1.1.
209 L05321: 1.1.1.11.1.1.
210 L05322: 1.1.1.1.1.1.
211 L05323: 1.11.1.1.1.1.
212 L05334: 1.1.1.1.1.1.
213 L05325: 1.1.1.1.1.111 -> L5021
214 L05326: 1.1.1.1.1.1.
215 L05327: 1.1.1.1.1111 -> L5043
216 L05330: 11.1.1.1.1.1.1 -> L6331
217 L05331: 11.1.1.1.1.1.
218 L05332: 11.1.1.11.11 -> L5326
219 L05333: 11111.1.1.1.
220 L05334: 1.1.1.1.11.1.
221 L05335: 11.1.1.1.111 -> L5311
222 L05336: 11.1.1.1.1.1.
223 L05337: 1.1.1.1.1.1.1.
224 L05340: 1.1.1.1.1.1.
225 L05341: 1.1.1.1.1.111 -> L5021
226 L05342: 1.11.111.1.1.
227 L05343: 1.1.11.1.1.11 -> L5132
228 L05344: 1.1.1.1.1.1.1.
229 L05345: 1.11.111.1.1.
230 L05346: 1.1.11.1.1.11 -> L5132
231 L05347: 11.1.111.1.1 -> L5316
232 L05350: 1.11.1.111.1 -> L5147
233 L05351: 1.1.1.1.1.1.11 -> L5202
234 L05352: 1.1.1.1.111.
235 L05353: 1.1.1.1.1.1.
236 L05354: 1.111.1.1.1.
237 L05355: 1111.1.1.1.1 -> L5360
238 L05356: 1.1111.1.1.1.
239 L05357: 1.1.1.1.1.1.
240 L05360: 11.1.11.1.1.
241 L05361: 1.1111111.
242 L05362: 1.11.1.111.
243 L05363: 1.1.11.111.
244 L05364: 1.1.1.11111.
245 L05365: 1.11111111.
246 L05366: 1.111.1.111.
247 L05367: 1.1.11.1.1.1.
248 L05370: 1.1.1.1.1.1.11 -> L5000
249 L05371: 1.1.1.1.1.1.1.
250 L05372: 1.1.1.1111.
251 L05373: 1111.111111 -> L5367
252 L05374: 11.1.111.1.1 -> L5316
253 L05375: 1.11.1.1.1.1 -> L5145
254 L05376: 1.1.1.1.111.
255 L05377: 1.111.1.1.11 -> L5072

```

```

IF C[X8] = 0
    THEN GO TO ADD10
ADD9 : C EXCHANGE M
      JSB TST9
      JSB TSTC
      JSB STOX
      STACK -> A
      JSB ADD
      GO TO EOP
***** ADD7 : SELECT ROM 6
UNW1 : P - 1 -> P
      IF C[P] >= 1
          THEN GO TO UNW2
      SHIFT LEFT ACMJ
      GO TO UNW0
TST9A : B EXCHANGE CCMJ
      IF CCMJ >= 1
          THEN GO TO SUBOUT
      0 -> CCMJ
***** SUBOUT: SELECT ROM 1
UNW2 : IF B[P] = 0
          THEN GO TO UNW4
UNW9 : A + C -> ACXJ
      A EXCHANGE CCMJ
      GO TO ISIT
RR : 1 -> S3
     1 -> S11
     0 -> S8
     RETURN
HALT : C EXCHANGE M
HALT1: 0 -> C[P]
      C EXCHANGE M
      GO TO OFL
QPI1 : IF S1 # 1
          THEN GO TO HPI1
***** SELECT ROM 6
      12 -> P
      GO TO QPI1
UNW4 : A + 1 -> ACXJ
      P - 1 -> P
      GO TO UNW2
ISIT : A EXCHANGE BCXJ
ISIT1: 0 -> BCXJ
      IF S9 # 1
          THEN GO TO OFL
      IF C[X8] = 0
          THEN GO TO EOP
      0 - C -> CCXJ
      IF C[X8] = 0
          THEN GO TO EOP
NFG : JSB RR
      JSB UNW
      GO TO EOP
ENT1 : B EXCHANGE CCMJ
      1 -> S9
      IF S7 # 1
          THEN GO TO ENT5
      0 -> S7
      C -> STACK
ENT5 : A EXCHANGE BCMPJ
      0 -> ACSJ
      0 -> CCMJ
      C - 1 -> CCMJ
      0 - C -> CCSJ
      C + 1 -> CCSJ
ENT15: C + 1 -> CCMJ
ENT11: IF C[P] >= 1
          THEN GO TO ENT10
      SHIFT LEFT RCMPJ
      P + 1 -> P
      GO TO ENT11
SLRN3: JSB RR
      JSB TST9
      B EXCHANGE CCMJ
      GO TO SLE3

```

```

0  L06000: 1111.1111 -> L6363
1  L06001: 11.1.1.111.
2  L06002: 1.1.1.1.1.1. -> L6050
3  L06003: 11.1.1.1.1.
4  L06004: 1.1.1.1.1.1. -> L6050
5  L06005: 11.1.1.1.1.
6  L06006: 1.1.1.1.1.1.
7  L06007: 1.1.1.1.111 -> L6011
8  L06010: 111.1.111.
9  L06011: 1.1.1.1.1.1.
10 L06012: 1.1.1.1.11 -> L6022
11 L06013: 1.11.11111.
12 L06014: 1.1.1.11.1.1 -> L6246
13 L06015: 1.1.1.1.1.1.
14 L06016: 1.1.1.1.1.1 -> L6245
15 L06017: 1.1.11.1.1.1 -> L6230
16 L06020: 1.1.1.1.1.1 -> L6045
17 L06021: 1.11.1.1.1.1.
18 L06022: 1.1.1.11.1.1 -> L6246
19 L06023: 1.1.1.1.1.1.
20 L06024: 1.111.1.1.11 -> L6164
21 L06025: 1.111.1111.
22 L06026: 11111.1.1.1.
23 L06027: 1.1.1.1.11.
24 L06030: 111.1.1.11.
25 L06031: 1.1.11.1.1.1.
26 L06032: 1.1.1.1.1.1.
27 L06033: 11.1111.1.1.
28 L06034: 1.1.11.1.111 -> L6031
29 L06035: 1.11.1.1.1.1.
30 L06036: 1.111.1.1.1.
31 L06037: 1.111.111.111 -> L6035
32 L06040: 1.11.1.111.
33 L06041: 1.1.1.111.
34 L06042: 1.1.1.1.1.1.
35 L06043: 1.1.1.1.111.
36 L06044: 1.1.1.1.111 -> L6101
37 L06045: 1.1.1.1.111.
38 L06046: 1.1.1.1.11.
39 L06047: 11.1111.1.11 -> L6336
40 L06050: 1.1.1.1.1.1.
41 L06051: 111.1.1.111.
42 L06052: 1.11.1.1.1.1.
43 L06053: 1.1.11.1111 -> L6055
44 L06054: 1.1.1.11111.
45 L06055: 1.11.1.111.
46 L06056: 1.1.1.1.1.1.
47 L06057: 11.1.1.1111 -> L6313
48 L06060: 1.11.1.111.
49 L06061: 1.1.1.1.1.1.
50 L06062: 1.1.1.1.111 -> L6045
51 L06063: 1.1.1.1.1.1.
52 L06064: 1.111.11.11 -> L6166
53 L06065: 1.1.1.1.1.1.
54 L06066: 1.1.1.1.111 -> L6025
55 L06067: 1.11111111.
56 L06070: 111.11111.
57 L06071: 1.1.1.11.111 -> L6005
58 L06072: 1.1.1.1.1.1.
59 L06073: 11.1111111.
60 L06074: 1.111.1.1.11 -> L6072
61 L06075: 1.11111111.
62 L06076: 11.1.11.1.1.
63 L06077: 1.11.1.1.1.1.
64 L06100: 11.1.1.111.
65 L06101: 1.1.1.1.111.
66 L06102: 11.1.1.1.1.1.
67 L06103: 1.111.1.1111 -> L6073
68 L06104: 1.11.1.1.1.1.
69 L06105: 1.11.1.111.
70 L06106: 111.11.1.1.1.
71 L06107: 11.1.1.111.
72 L06110: 1.1.1.1.1.1.
73 L06111: 1.1.1.1.1.1.
74 L06112: 111111111.
75 L06113: 111111111.

```

```

GO TO TAN13
TAN15: A EXCHANGE B[W]
JSB TAN11
STACK -> A
JSB TAN11
STACK -> A
IF S9 # 1
    THEN GO TO TAN16
TAN16: A EXCHANGE C[W]
IF S5 # 1
    THEN GO TO ASN12
    0 -> C[S]
JSB DIV11
ASN11: C -> STACK
JSB MPY11
JSB ADD10
JSB SQT11
STACK -> A
ASN12: JSB DIV11
IF S4 # 1
    THEN GO TO TOUT
ATN11: 0 -> A[W]
A + 1 -> A[P]
A -> B[W]
A EXCHANGE C[W]
ATN12: C - 1 -> C[X]
SHIFT RIGHT B[W]
IF C[X] = 0
    THEN GO TO ATN13
ATN13: SHIFT RIGHT A[W]
C + 1 -> C[X]
IF NO CARRY GO TO ATN14
SHIFT RIGHT A[W]
SHIFT RIGHT B[W]
C -> STACK
ATN14: B EXCHANGE C[W]
GO TO ATN18
SQT11: B EXCHANGE C[W]
4 -> P
GO TO SQT14
TAN11: C -> STACK
A EXCHANGE C[W]
IF C[P] = 0
    THEN GO TO TAN12
    0 - C -> C[W]
TAN12: C -> A[W]
B -> C[X]
GO TO ADD15
SIN11: C -> A[W]
IF S1 # 1
    THEN GO TO SQT11
IF S4 # 1
    THEN GO TO LPI11
IF S5 # 1
    THEN GO TO ATN11
    0 - C - 1 -> C[S]
A EXCHANGE C[S]
GO TO TAN11
ATN15: SHIFT RIGHT B[W]
ATN16: A - 1 -> A[S]
IF NO CARRY GO TO ATN15
C + 1 -> C[S]
A EXCHANGE B[W]
A + C -> C[W]
A EXCHANGE B[W]
ATN18: A -> B[W]
A - C -> A[W]
IF NO CARRY GO TO ATN16
STACK -> A
SHIFT RIGHT A[W]
A EXCHANGE C[W]
A EXCHANGE B[W]
SHIFT LEFT A[W]
C -> STACK
A + 1 -> A[S]
A + 1 -> A[S]

```

```

76 L06114: . . 1 . . . 1111 -> L6043
77 L06115: . . 11 . . 111.
78 L06116: . . . . 1 . 1 . 1 .
79 L06117: 1 . 11 . 1 . 11.
80 L06120: 1 . 11 . . 1 . 1 -> L6262
81 L06121: . 1 . 11 . . 1 .
82 L06122: . 11 . 1 . 1 . .
83 L06123: 111 . 1 . 111.
84 L06124: . 1 . . . . 11.
85 L06125: 1 . 1 . . 1 . 1 -> L6244
86 L06126: . 11 . . . 11.
87 L06127: 1 . 11 . 11 . 1 -> L6233
88 L06130: 1 . . . . 11.
89 L06131: 1 . 11 . 11 . 1 -> L6233
90 L06132: . . 1 . . . 11.
91 L06133: 1 . . . . 11.
92 L06134: 1 . 1 . . . 11.
93 L06135: 1 . 11 . 11 . 1 -> L6233
94 L06136: 1 . . 111 . . 1 -> L6216
95 L06137: 1 . 11 . 11 . 1 -> L6233
96 L06140: 11 . 11 . . . 1 -> L6314
97 L06141: . 1 . . . . 111.
98 L06142: 1 . 11 . 11 . 1 -> L6233
99 L06143: . . 1 . . . 111.
100 L06144: 11 . 1 . 11 . 1 -> L6313
101 L06145: 11 . 11 . . . 1 -> L6314
102 L06146: 1 . 1 . 1 . 111.
103 L06147: 1 . 1 . . 11 . 1 -> L6246
104 L06150: 1 . 1 . 1 . 1 .
105 L06151: . 11 . 11 . . 11 -> L6154
106 L06152: . . 11111111.
107 L06153: 1 . 11 . . . . 1 -> L6230
108 L06154: 11 . 11 . . . 1 -> L6314
109 L06155: 1 . 1 . 1 . 111.
110 L06156: 1 . 1 . . 1 . 1 -> L6245
111 L06157: . 11111 . 1 .
112 L06160: 1 . . 11 . 111 -> L6215
113 L06161: . . 1 . 1 . 1 . 1 .
114 L06162: 111111 . 1 .
115 L06163: . . . . 111 . 11 -> L6016
116 L06164: . . . 111 . 1 .
117 L06165: 11 . 11 . . 11 -> L6314
118 L06166: 11 . 11 . . . 1 -> L6314
119 L06167: 1 . 1 . 1 . 111.
120 L06170: 1 . 1 . 1 . 111.
121 L06171: 1 . 1 . 1 . 1 . 1 -> L6225
122 L06172: 1 . 1 . 1 . 111.
123 L06173: 111 . 1 . 11 . 1 -> L6353
124 L06174: 11 . 11 . . . 1 -> L6314
125 L06175: 1 . 1 . . 11.
126 L06176: 1 . 111 . . . 1 -> L6234
127 L06177: 1 . . 111 . . 1 -> L6216
128 L06200: 1 . . . . 11.
129 L06201: 1 . 111 . 1 . 1 -> L6235
130 L06202: . . 1 . . . 11.
131 L06203: 1 . . . . 11.
132 L06204: . 11 . . . 11.
133 L06205: 1 . 111 . . . 1 -> L6234
134 L06206: . 1 . . . . 11.
135 L06207: 1 . 111 . . . 1 -> L6234
136 L06210: 1 . 111 . . . 1 -> L6234
137 L06211: 11 . 1 . 111.
138 L06212: 1 . 1 . . 111.
139 L06213: 11 . 1 . . 11.
140 L06214: . 1 . 1 . 11.
141 L06215: . 11111 . 1111 -> L6373
142 L06216: . 11 . . . 11.
143 L06217: 1 . . . . 11.
144 L06220: . 11 . . . 11.
145 L06221: . 1 . 1 . 11.
146 L06222: . . 1 . . 11.
147 L06223: . 1 . . . 11.
148 L06224: 1 . 1 . 11.
149 L06225: . . 1 . 1 . 1 .
150 L06226: 11 . 11 . 1 . 11 -> L6332

```

```

IF NO CARRY GO TO ATN14
0 -> C[W]
0 -> B[X]
SHIFT RIGHT A[C]
JSB DIV14
C - 1 -> C[P]
STACK -> A
A EXCHANGE C[W]
4 -> P
ATN17 : JSB PQ013
6 -> P
JSB PMU11
8 -> P
JSB PMU11
2 -> P
LOAD CONSTANT 8
10 -> P
JSB PMU11
JSB ATCD1
JSB PMU11
JSB ATC1
SHIFT LEFT A[W]
JSB PMU11
B -> C[W]
JSB ADD15
JSB ATC1
C + C -> C[W]
JSB DIV11
IF S9 # 1
    THEN GO TO ATN19
0 - C - 1 -> C[S]
JSB ADD10
ATN19 : JSB ATC1
C + C -> C[W]
JSB MPY11
***** ITOUT : DELAYED SELECT ROM 3
GO TO @215
0 - C -> C[X]
***** DELAYED SELECT ROM 7
GO TO @016
***** TOUT : DELAYED SELECT ROM 0
GO TO @314
LPI11 : JSB ATC1
C + C -> C[W]
C + C -> C[W]
JSB RTN11
C + C -> C[W]
JSB PRF11
JSB ATC1
10 -> P
JSB PQ011
JSB ATCD1
8 -> P
JSB PQ012
2 -> P
LOAD CONSTANT 8
6 -> P
JSB PQ011
4 -> P
JSB PQ011
JSB PQ011
A EXCHANGE B[W]
SHIFT RIGHT C[W]
13 -> P
LOAD CONSTANT 5
GO TO TAN14
ATCD1 : 6 -> P
LOAD CONSTANT 8
LOAD CONSTANT 6
LOAD CONSTANT 5
LOAD CONSTANT 2
LOAD CONSTANT 4
LOAD CONSTANT 9
RTN11 : IF S1 # 1
    THEN GO TO RTN12

```

151 L06227:11.....
 152 L06230: 1.111.111.
 153 L06231: 11111.....1.
 154 L06232: 1.1.1.1..... -> L5233
 155 L06233: 111.1.1..... -> L7234
 156 L06234: .1.....111.
 157 L06235: 1.1.1.1.11.
 158 L06236: 1.1.1.111.
 159 L06237: 1.1.1.1111 -> L6241
 160 L06240: .11111111.
 161 L06241: 11.1.1.111.
 162 L06242: 1.1.1.1.11 -> L6240
 163 L06243: 111.1.111.
 164 L06244: 111.1.1..... -> L7245
 165 L06245: 111.1.1..... -> L7246
 166 L06246: .1.1.1.1.1.
 167 L06247: 111.1.1..... -> L7250
 168 L06250: .1111.....1.
 169 L06251: 11.1.1.111.
 170 L06252: 1.1.1.1.11 -> L6250
 171 L06253: 1111.1111.
 172 L06254: .1.....111.
 173 L06255:111.
 174 L06256: 1.1.1.1.1.1.
 175 L06257:1.11..
 176 L06260: 1.1.1.1.111 -> L6251
 177 L06261: .1.1.11.111 -> L6055
 178 L06262: .1111.....1.
 179 L06263: 11.1.1.11.
 180 L06264: 1.11.1.1.11 -> L6262
 181 L06265: 111.1.1.11.
 182 L06266: .1.1.1.1.1.
 183 L06267:111.
 184 L06270:1.11..
 185 L06271: 1.11.1.1111 -> L6263
 186 L06272: .1.1.11.111 -> L6055
 187 L06273:111.
 188 L06274: 111.1.1.11.
 189 L06275: 11.11.1111 -> L6333
 190 L06276: .11.1.1..... -> L3277
 191 L06277: .1.1111.1.
 192 L06300: .1.1111.1.
 193 L06301: 1.111.1.1.1.
 194 L06302: 11.1.1.1111.
 195 L06303: 1.1.111111.
 196 L06304: 11.1.1.11.11 -> L6306
 197 L06305: 111.1.1..... -> L7306
 198 L06306: 1.....11.
 199 L06307: 11.1.1.1.11 -> L6312
 200 L06310: .1.1111111.
 201 L06311: 11.1.1.111.
 202 L06312: 11.1.1.111.
 203 L06313: 111.1.1..... -> L7314
 204 L06314: .1.11.111.
 205 L06315: 1.11.1.11..
 206 L06316: .111.11.....
 207 L06317: 1.....11..
 208 L06320: .1.1.11.....
 209 L06321: .1.11.11.....
 210 L06322: 1.1.1.11.....
 211 L06323: 1.....11..
 212 L06324: .1.1.11.....
 213 L06325: .11.1.11.....
 214 L06326: .1.11.11.....
 215 L06327: .1.1.11.....
 216 L06330: 1.1.1.1..... -> L5331
 217 L06331:11.....
 218 L06332: .11.1.1..... -> L3333
 219 L06333: 111.1.1.1.
 220 L06334: 11.1111.11 -> L6336
 221 L06335: .1.11.1.1.1.
 222 L06336: .11111111.
 223 L06337:1.11..
 224 L06340: 1.111.1111 -> L6273
 225 L06341: 111.1.1.1.1.

RETURN
 ADD10 : 0 -> ACW]
 A + 1 -> ACP]
 ***** ADD11 : SELECT ROM 5
 ***** PMU11 : SELECT ROM 7
 PQ011 : SHIFT LEFT ACW]
 PQ012 : SHIFT RIGHT BINS]
 B EXCHANGE CCW]
 GO TO PQ016
 PQ015 : C + 1 -> C[S]
 PQ016 : A - B -> ACW]
 IF NO CARRY GO TO PQ015
 A + B -> ACW]
 ***** PQ013 : SELECT ROM 7
 ***** MPY11 : SELECT ROM 7
 ***** DIV11 : A - C -> C[X]
 SELECT ROM 7
 SQT15 : C + 1 -> C[P]
 SQT16 : A - C -> ACW]
 IF NO CARRY GO TO SQT15
 A + C -> ACW]
 SHIFT LEFT ACW]
 P - 1 -> P
 SQT17 : SHIFT RIGHT C[M]
 IF P # 0
 THEN GO TO SQT16
 GO TO THM12
 DIV14 : C + 1 -> C[P]
 DIV15 : A - B -> ACMS]
 IF NO CARRY GO TO DIV14
 A + B -> ACMS]
 SHIFT LEFT ACMS]
 DIV16 : P - 1 -> P
 IF P # 0
 THEN GO TO DIV14
 GO TO THM12
 SQT12 : P - 1 -> P
 A + B -> ACMS]
 IF NO CARRY GO TO SQT18
 SELECT ROM 3
 ***** ADD12 : C - 1 -> C[XS]
 C - 1 -> C[XS]
 0 -> ACX]
 A - C -> ACS]
 IF ACS] >= 1
 THEN GO TO ADD13
 ***** ADD13 : SELECT ROM 7
 IF A >= BCM]
 THEN GO TO ADD14
 0 - C - 1 -> C[S]
 A EXCHANGE BCW]
 ADD14 : A - B -> ACW]
 ***** ADD15 : SELECT ROM 7
 ATC1 : 0 -> CCW]
 11 -> P
 LOAD CONSTANT 7
 LOAD CONSTANT 8
 LOAD CONSTANT 5
 LOAD CONSTANT 3
 LOAD CONSTANT 9
 LOAD CONSTANT 8
 LOAD CONSTANT 1
 LOAD CONSTANT 6
 LOAD CONSTANT 3
 LOAD CONSTANT 5
 ***** SELECT ROM 5
 RETURN
 ***** RTN12 : SELECT ROM 3
 SQT18 : A + B -> ACX]
 IF NO CARRY GO TO SQT14
 C - 1 -> C[P]
 SQT14 : C + 1 -> C[S]
 IF P # 0
 THEN GO TO SQT12
 A EXCHANGE C[X]

```

226 L06342: 1.111.1.1.
227 L06343: .11.11.1.
228 L06344: 111.11.11 -> L6346
229 L06345: 1.11.111.
230 L06346: 1.1.1.111.
231 L06347: 1.1.1.1.1.
232 L06350: .11.1.1.1.
233 L06351: 11.11.11.
234 L06352: 1.1.111.11 -> L6256
235 L06353: 111.1.1.1. -> L7354
236 L06354: 1.1.1.1.1.
237 L06355: 1.1.1.1.1.
238 L06356: .1.111111.
239 L06357: 111.11.11 -> L6354
240 L06360: .111.1.1.1.
241 L06361: 11.1.1.1.1.
242 L06362: 1.1.11.1.1.
243 L06363: .1.1.1.111.
244 L06364: 11.111111.
245 L06365: 111.111.11 -> L6356
246 L06366: 111.11.1.1.
247 L06367: .11.1.1.1.
248 L06370: .111.1111.
249 L06371: .111.111111 -> L6601
250 L06372: .1.1.1.111.
251 L06373: 111.11.1.1.
252 L06374: .1.1.1.1.1.
253 L06375: 1.1.1.1.1.1.
254 L06376: .1.111111.
255 L06377: 1.1.11111.
    
```

```

SQT13 :
0 -> ACXJ
IF CIPJ >= 1
  THEN GO TO SQT13
SHIFT RIGHT ACWJ
B EXCHANGE CIXJ
0 -> CIXJ
12 -> P
GO TO SQT17
***** PRE11 : SELECT ROM 7
TAN18 : SHIFT RIGHT BCWPJ
SHIFT RIGHT BCWPJ
TAN19 : C - 1 -> CISCJ
IF NO CARRY GO TO TAN18
A + C -> CCWPJ
A - B -> ACWPJ
B EXCHANGE CCWPJ
TAN13 : B -> CIXJ
A - 1 -> ACISJ
IF NO CARRY GO TO TAN19
A EXCHANGE CCWPJ
STACK -> A
IF BISCJ = 0
  THEN GO TO TAN13
SHIFT LEFT ACWJ
TAN14 : A EXCHANGE CCWPJ
C -> STACK
SHIFT RIGHT BCWPJ
C - 1 -> CISCJ
B EXCHANGE CISCJ
    
```

MERLO OBJECT PROGRAM

```

0 L07000: .11111111.
1 L07001: 11.111111.
2 L07002: 111111111.
3 L07003: 1.1.1.1.11.
4 L07004: .1.1.1.1.1.
5 L07005: .1.1.1.1.11 -> L7022
6 L07006: .11.1.1.1.1.
7 L07007: 1.1.1.11.1.1 -> L7246
8 L07009: .1.1.1.1.1.1 -> L2011
9 L07011: 1111.11.1.1 -> L7366
10 L07012: .111.1.111.
11 L07013: 1.1.1.11.1.1 -> L7246
12 L07014: .11.1.1.111.
13 L07015: .1.1.1.1.11 -> L7102
14 L07016: .1.1111.1.1.
15 L07017: 1.1111.1.1.1 -> L7161
16 L07020: .111.1.1.111 -> L7161
17 L07021: .111111111.
18 L07022: .1.1.1.111.
19 L07023: 1.1.1.11.1.1 -> L7226
20 L07024: 11.11.1.1.1.
21 L07025: .1.1.1.1.111 -> L7021
22 L07026: 11.1.11.1.1.
23 L07027: 111.1111.1.1.
24 L07030: .111.1.1.111 -> L7001
25 L07031: .111.1.11.1.
26 L07032: .11.11.1.1.1 -> L7155
27 L07033: 1.1.1.1.11.1.
28 L07034: 1.1.111.1.1.1 -> L7235
29 L07035: 1.1.1.1.11.1.
30 L07036: 1.1.111.1.1.1 -> L7234
31 L07037: 1111111.1.1.1 -> L7376
32 L07040: 1.1.1.1.11.1.
33 L07041: 1.1.111.1.1.1 -> L7234
34 L07042: .11111.1.1.1 -> L7175
35 L07043: 1.11.1.11.1.
36 L07044: 1.1.111.1.1.1 -> L7234
37 L07045: 11.11111.1.1 -> L7337
38 L07046: 1.1.111.1.1.1 -> L7234
39 L07047: 1.111.1.1.1.1 -> L7271
40 L07050: 1.1.111.1.1.1 -> L7234
    
```

```

LN24 : NO OPERATION
A EXCHANGE BISCJ
A + 1 -> ACISJ
SHIFT RIGHT CISCJ
SHIFT LEFT ACWPJ
GO TO LN26
XTY22 : STACK -> A
JSB MPY21
***** XTY21 : SELECT ROM 2
JSB LNC10
0 -> BCWJ
JSB MPY21
C -> ACWJ
GO TO EXP21
C - 1 -> CIXSJ
DELATED SELECT ROM 5
GO TO @161
LN25 : C + 1 -> CISCJ
LN26 : A -> BCWJ
JSB ECA22
A - 1 -> AICPJ
IF NO CARRY GO TO LN25
A EXCHANGE BCWPJ
A + B -> ACISJ
IF NO CARRY GO TO LN24
7 -> P
JSB PQ023
8 -> P
JSB PMU22
9 -> P
JSB PMU21
JSB LNC03
10 -> P
JSB PMU21
JSB LNC02
11 -> P
JSB PMU21
JSB LNC01
JSB PMU21
JSB LNC2
JSB PMU21
    
```

```

41 L07051: 1111.11.1  -> L7366
42 L07052: 111.1.111.
43 L07053: 1.1.1.111.
44 L07054: .....11.1.
45 L07055: 1.1.111111  -> L7057
46 L07056: 1.1.1.111.
47 L07057: 11.1.1.111.
48 L07060: .....111.
49 L07061: 1.1.1.111.
50 L07062: 1.1.11.11.
51 L07063: 1.11.1.11  -> L7060
52 L07064: 111.1.111.
53 L07065: 1.1.11111.
54 L07066: 1.111.11  -> L7070
55 L07067: 1.111.11.
56 L07070: 1111.1.1.
57 L07071: 1.11.1.11.
58 L07072: 11.1.1.1.1  -> L7305
59 L07073: 1.1.1.1.1.
60 L07074: 1.1.1.11.11  -> L7006
61 L07075: 1.1.1.1.1.
62 L07076: 1.1.1.1.11  -> L7224
63 L07077: 1111.11.1  -> L7366
64 L07100: 1.1.1.111.1  -> L7247
65 L07101: 1.1.1.1.11  -> L7224
66 L07102: 1111.11.1  -> L7366
67 L07103: 111.11.1.1  -> L7354
68 L07104: 1.111.1.1  -> L7271
69 L07105: 1.11.1.1.
70 L07106: 1.1.11.11.1  -> L7233
71 L07107: 11.1111.1  -> L7337
72 L07110: 1.1.1.11.
73 L07111: 1.1.11.11.1  -> L7233
74 L07112: 1.1111.1.1  -> L7175
75 L07113: 1.1.1.11.
76 L07114: 1.1.11.11.1  -> L7233
77 L07115: 111111.1  -> L7376
78 L07116: 1.1.1.11.
79 L07117: 1.1.11.11.1  -> L7233
80 L07120: 1.1.11.11.1  -> L7233
81 L07121: 1.1.11.11.1  -> L7233
82 L07122: 1.11.1.11.
83 L07123: 1.1111.1.1
84 L07124: 11.1.1.11.
85 L07125: 1.1.1.111.
86 L07126: 111.1.111.
87 L07127: 1.11.11.
88 L07130: 1.1.111.11  -> L7216
89 L07131: 1.1.1.1.1.
90 L07132: 1.1.1111.11  -> L7136
91 L07133: 11111.1.1.
92 L07134: 1.1.1111.1.
93 L07135: 11.1.1.11  -> L7302
94 L07136: 11.1.1.11.
95 L07137: 1.1.11.111  -> L7131
96 L07140: 111.1.1.11.
97 L07141: 1.1.1.111.
98 L07142: 1.1.11.1.1.
99 L07143: 1.1.111.11  -> L7134
100 L07144: 1.11.1.111.
101 L07145: 1.11.1.1.1.
102 L07146: 111.1.1.1.1.
103 L07147: 1.1.11111.
104 L07150: 1.1.11.11  -> L7154
105 L07151: 11.1.1.111.
106 L07152: 11.1.1.111.
107 L07153: 1.111.111.
108 L07154: 1.11.1.111.
109 L07155: 1.1.1.111.
110 L07156: 1.11.1.111.
111 L07157: 1.1.11.11.1.
112 L07160: 1.1.1.1.1.
113 L07161: 1.11.11.11  -> L7166
114 L07162: 1.1.1.11.1.
115 L07163: 1.1111.11.

```

```

JSB LNC10
A EXCHANGE C[W]
A - C -> C[W]
IF B[X] = 0
    THEN GO TO LN27
A - C -> C[W]
LN27 : A EXCHANGE B[W]
LN28 : P - 1 -> P
SHIFT LEFT A[W]
IF P # 1
    THEN GO TO LN29
A EXCHANGE C[W]
IF C[S] = 0
    THEN GO TO LN29
0 - C - 1 -> C[M]
LN29 : C + 1 -> C[X]
11 -> P
JSB MPY27
IF S9 # 1
    THEN GO TO NTRY20
IF S5 # 1
    THEN GO TO RTH21
JSB LNC10
JSB MPY22
GO TO RTH21
EXP21 : JSB LNC10
JSB PRE21
JSB LNC2
11 -> P
JSB P0021
JSB LNC01
10 -> P
JSB P0021
JSB LNC02
9 -> P
JSB P0021
JSB P0021
8 -> P
JSB P0021
JSB P0021
6 -> P
0 -> A[W]
13 -> P
B EXCHANGE C[W]
A EXCHANGE C[W]
LOAD CONSTANT 6
GO TO EXP23
PRE23 : IF S2 # 1
    THEN GO TO PRE24
A + 1 -> A[X]
PRE29 : IF A[X] >= 1
    THEN GO TO PRE27
PRE24 : A - B -> A[M]
IF NO CARRY GO TO PRE23
A + B -> A[M]
SHIFT LEFT A[W]
C - 1 -> C[X]
IF NO CARRY GO TO PRE29
PRE25 : SHIFT RIGHT A[W]
0 -> C[W]
A EXCHANGE C[X]
PRE26 : IF C[S] = 0
    THEN GO TO PRE28
A EXCHANGE B[W]
A - B -> A[W]
0 - C - 1 -> C[W]
PRE28 : SHIFT RIGHT A[W]
P0023 : B EXCHANGE C[W]
0 -> C[W]
C - 1 -> C[M]
IF S2 # 1
    THEN GO TO P0028
LOAD CONSTANT 4
C + 1 -> C[M]

```

63

116 L07164: 1111111111 -> L7171
 117 L07165: 1111111111
 118 L07166: 1111111111
 119 L07167: 1111111111 -> L7165
 120 L07170: 1111111111
 121 L07171: 1111111111
 122 L07172: 1111111111
 123 L07173: 1111111111 -> L7234
 124 L07174: 1111111111
 125 L07175: 1111111111
 126 L07176: 1111111111
 127 L07177: 1111111111
 128 L07200: 1111111111
 129 L07201: 1111111111
 130 L07202: 1111111111
 131 L07203: 1111111111
 132 L07204: 1111111111
 133 L07205: 1111111111 -> L7352
 134 L07206: 1111111111 -> L7226
 135 L07207: 1111111111
 136 L07210: 1111111111
 137 L07211: 1111111111
 138 L07212: 1111111111 -> L7206
 139 L07213: 1111111111
 140 L07214: 1111111111
 141 L07215: 1111111111
 142 L07216: 1111111111
 143 L07217: 1111111111
 144 L07220: 1111111111 -> L7210
 145 L07221: 1111111111
 146 L07222: 1111111111
 147 L07223: 1111111111 -> L7314
 148 L07224: 1111111111 -> L6225
 149 L07225: 1111111111
 150 L07226: 1111111111
 151 L07227: 1111111111 -> L7225
 152 L07230: 1111111111
 153 L07231: 1111111111
 154 L07232: 1111111111
 155 L07233: 1111111111 -> L6234
 156 L07234: 1111111111
 157 L07235: 1111111111
 158 L07236: 1111111111 -> L7240
 159 L07237: 1111111111
 160 L07240: 1111111111
 161 L07241: 1111111111 -> L7237
 162 L07242: 1111111111
 163 L07243: 1111111111
 164 L07244: 1111111111
 165 L07245: 1111111111 -> L7155
 166 L07246: 1111111111
 167 L07247: 1111111111
 168 L07250: 1111111111
 169 L07251: 1111111111 -> L7253
 170 L07252: 1111111111
 171 L07253: 1111111111
 172 L07254: 1111111111
 173 L07255: 1111111111
 174 L07256: 1111111111 -> L7305
 175 L07257: 1111111111
 176 L07260: 1111111111 -> L7266
 177 L07261: 1111111111
 178 L07262: 1111111111
 179 L07263: 1111111111
 180 L07264: 1111111111 -> L7333
 181 L07265: 1111111111
 182 L07266: 1111111111
 183 L07267: 1111111111
 184 L07270: 1111111111 -> L6271
 185 L07271: 1111111111
 186 L07272: 1111111111
 187 L07273: 1111111111
 188 L07274: 1111111111
 189 L07275: 1111111111
 190 L07276: 1111111111

64

IF NO CARRY GO TO P0024
 P0027 : LOAD CONSTANT 6
 P0028 : IF P # 1
 THEN GO TO P0007
 SHIFT RIGHT CCM1
 P0024 : SHIFT RIGHT CCM1
 NPM26 : IF S2 # 1
 THEN GO TO RTN21
 RETURN
 LNC02 : 7 -> P
 LNC6 : LOAD CONSTANT 3
 LOAD CONSTANT 3
 LOAD CONSTANT 0
 LNC7 : LOAD CONSTANT 8
 LOAD CONSTANT 5
 LOAD CONSTANT 0
 LOAD CONSTANT 9
 GO TO LNC9
 EXP29 : JSB ECA22
 A + 1 -> ACP
 EXP22 : A -> BCM1
 C - 1 -> CCS1
 IF NO CARRY GO TO EXP29
 SHIFT RIGHT ACP1
 A EXCHANGE CCM1
 SHIFT LEFT ACS1
 EXP23 : A EXCHANGE CCM1
 A - 1 -> ACS1
 IF NO CARRY GO TO EXP22
 A EXCHANGE BCM1
 A + 1 -> ACP
 JSB NRM21
 ***** RTN21 : SELECT ROM 6
 ECA21 : SHIFT RIGHT ACP1
 ECA22 : A - 1 -> ACS1
 IF NO CARRY GO TO ECA21
 0 -> ACS1
 A + B -> ACM1
 RETURN
 ***** P0021 : SELECT ROM 6
 PMU21 : SHIFT RIGHT ACM1
 PMU22 : B EXCHANGE CCM1
 GO TO PMU24
 PMU23 : A + B -> ACM1
 PMU24 : C - 1 -> CCS1
 IF NO CARRY GO TO PMU23
 A EXCHANGE CCM1
 SHIFT LEFT ACS1
 A EXCHANGE CCM1
 GO TO P0023
 MPY21 : 3 -> P
 MPY22 : A + C -> CCS1
 DIV21 : A - C -> CCS1
 IF NO CARRY GO TO DIV22
 0 - C -> CCS1
 DIV22 : A EXCHANGE BCM1
 0 -> ACM1
 IF P # 12
 THEN GO TO MPY27
 IF CCM1 >= 1
 THEN GO TO DIV23
 0 -> CCM1
 C - 1 -> CCM1
 0 -> CCS1
 IF NO CARRY GO TO NEM25
 NO OPERATION
 DIV23 : B EXCHANGE CCM1
 A EXCHANGE CCM1
 SELECT ROM 6
 LNC2 : A -> S10
 LOAD CONSTANT 6
 LOAD CONSTANT 0
 LOAD CONSTANT 3
 LOAD CONSTANT 1
 LOAD CONSTANT 4

```

191 L07277: .111.11...
192 L07300: ...1.11...
193 L07301: 111...11.11 -> L7346
194 L07302: 11111...11.
195 L07303: .11...1...11 -> L7144
196 L07304: 111...111.
197 L07305: .1.11...1.
198 L07306: 11...1...11 -> L7304
199 L07307: 1.11...111.
200 L07310: ....1111...
201 L07311: 11.11.11...
202 L07312: 11...1.111 -> L7305
203 L07313: .1111.1.1.
204 L07314: 1.1111111.
205 L07315: 11...11...
206 L07316: ...1.111.
207 L07317: 1...11...1.
208 L07320: 11.1.11.11 -> L7326
209 L07321: .1...111.
210 L07322: .1.11.1.1.
211 L07323: 1...11.111.
212 L07324: 11...111111 -> L7317
213 L07325: ...11...111.
214 L07326: .1...1.1.1.
215 L07327: 11...111.
216 L07330: 1...111111.
217 L07331: 11...11111 -> L7307
218 L07332: 111.1...11.
219 L07333: .11...111.
220 L07334: ...1.111.
221 L07335: 11...11...
222 L07336: .1111.1.11 -> L7172
223 L07337: 1...1...11...
224 L07340: ...11.11...
225 L07341: ...1.11...
226 L07342: ...11...
227 L07343: ...1.11...
228 L07344: .111.11...
229 L07345: 1...1.11...
230 L07346: 1...11...
231 L07347: ...11...
232 L07350: .1.1.11...
233 L07351: .1.1.11...
234 L07352: ...11.11...
235 L07353: 11.111.111 -> L7335
236 L07354: 111.1.111.
237 L07355: .1...1.111.
238 L07356: .11...11.
239 L07357: 1.1.111.1.
240 L07360: .1.1111.11 -> L7136
241 L07361: .111111.1.
242 L07362: 1.11...111.
243 L07363: .1111.1.1.
244 L07364: 1111...1.11 -> L7362
245 L07365: .11...11111 -> L7147
246 L07366: ...11...111.
247 L07367: 11...11...
248 L07370: .1...11...
249 L07371: .111.11...
250 L07372: ...11...
251 L07373: .1...11...
252 L07374: .1.1.11...
253 L07375: 1...1...111 -> L7201
254 L07376: .1.1...11...
255 L07377: .111111.11 -> L7176

```

```

LOAD CONSTANT 7
LOAD CONSTANT 1
GO TO LNC0
PRE27 : A + 1 -> ACWJ
IF NO CARRY GO TO PRE25
MPY26 : A + B -> ACWJ
MPY27 : C - 1 -> CCPJ
IF NO CARRY GO TO MPY26
MPY28 : SHIFT RIGHT ACWJ
P + 1 -> P
IF P # 13
THEN GO TO MPY27
C + 1 -> CCXJ
NRM21 : 0 -> ACSJ
12 -> P
0 -> BLWJ
NRM23 : IF ACPJ >= 1
THEN GO TO NRM24
SHIFT LEFT ACWJ
C - 1 -> CCXJ
IF ACWJ >= 1
THEN GO TO NRM23
0 -> CCWJ
NRM24 : A -> BCXJ
A + B -> ACWJ
IF ACSJ >= 1
THEN GO TO MPY28
A EXCHANGE CCWJ
NRM25 : C -> ACWJ
0 -> BCWJ
NRM27 : 12 -> P
GO TO NRM26
LNC01 : 9 -> P
LOAD CONSTANT 3
LOAD CONSTANT 1
LOAD CONSTANT 0
LOAD CONSTANT 1
LOAD CONSTANT 7
LOAD CONSTANT 9
LNC8 : LOAD CONSTANT 8
LOAD CONSTANT 0
LOAD CONSTANT 5
LOAD CONSTANT 5
LNC9 : LOAD CONSTANT 3
GO TO NRM27
PRE21 : A EXCHANGE CCWJ
A -> BCWJ
C -> ACMJ
C + C -> CCXSJ
IF NO CARRY GO TO PRE24
C + 1 -> CCXSJ
PRE22 : SHIFT RIGHT ACWJ
C + 1 -> CCXJ
IF NO CARRY GO TO PRE22
GO TO PRE26
LNC10 : 0 -> CCWJ
12 -> P
LOAD CONSTANT 2
LOAD CONSTANT 3
LOAD CONSTANT 0
LOAD CONSTANT 2
LOAD CONSTANT 5
GO TO LNC7
LNC03 : 5 -> P
GO TO LNC6

```

```

0 L10000: .1.1.1... -> L1001
1 L10001: .1111...1.
2 L10002: .1111...1.
3 L10003: .1111...1.
4 L10004: .1111...1.
5 L10005: .....
6 L10006: .1111...1.
7 L10007: .1...1.11 -> L0102

```

```

***** BST : SELECT ROM 1
RS1 : C + 1 -> CCPJ
PUT : C + 1 -> CCPJ
INV : C + 1 -> CCPJ
YTX : C + 1 -> CCPJ
NO OPERATION
SIG : C + 1 -> CCPJ
IF NO CARRY GO TO R1

```



```

8 L10010: . . . 1.1.1. . .
9 L10011: . . . 11. . . 11 -> L0030
10 L10012: . . 1111. . . 1.
11 L10013: . 1111. . . 1.
12 L10014: . 1111. . . 1.
13 L10015: . . . . . . . . . .
14 L10016: . 1111. . . 1.
15 L10017: . 1. . . . . 11 -> L0100
16 L10020: . . 1111. 1. . .
17 L10021: 111. . . 1111 -> L0343
18 L10022: . 1111. . . 1.
19 L10023: . 1111. . . 1.
20 L10024: . 1111. . . 1.
21 L10025: . . 11. 1. 11 -> L0032
22 L10026: 1. . . . 11. . .
23 L10027: . 1. . . . 11 -> L0100
24 L10030: . . 1111. 1. . .
25 L10031: . 11. . . 1111 -> L0143
26 L10032: . 1111. . . 1.
27 L10033: . 1111. . . 1.
28 L10034: . 1111. . . 1.
29 L10035: . 1. . . . 1111 -> L0103
30 L10036: 1. . . . 11. . .
31 L10037: . 1. . . . 111 -> L0101
32 L10040: . . . . . . . . . .
33 L10041: . 1111. . . 1.
34 L10042: . . 1. . . 111 -> L0001
35 L10043: . 1. . . . 111 -> L0041
36 L10044: . 1. . . . 1111 -> L0103
37 L10045: . . . . . . . . . .
38 L10046: 1. . . . 11. . .
39 L10047: . 1. . . . 1. 11 -> L0102
40 L10050: . 1. 1. . . 1. . .
41 L10051: . . . . . . . 11 -> L0000
42 L10052: . 1111. . . 1.
43 L10053: . 1111. . . 1.
44 L10054: . 1111. . . 1.
45 L10055: . . . . . . . . . .
46 L10056: . 1111. . . 1.
47 L10057: . 1. . . . 111 -> L0101
48 L10060: 1. 11. . . 11.
49 L10061: 1. . . 11. . . 1 -> L0214
50 L10062: . 1111. . . 1.
51 L10063: . 1111. . . 1.
52 L10064: . 1111. . . 1.
53 L10065: . . 1. . . 1. 11 -> L0022
54 L10066: 1. . . . 11. . .
55 L10067: . . 11111111 -> L0077
56 L10070: . 1111. . . 1.
57 L10071: . . . . . . . . . .
58 L10072: . 1111. . . 1.
59 L10073: . 1111. . . 1.
60 L10074: . . . . . . . . . .
61 L10075: . . . . . . . . . .
62 L10076: . 1111. . . 1.
63 L10077: . 111111. 1.
64 L10100: . 111111. 1.
65 L10101: . 111111. 1.
66 L10102: . 111111. 1.
67 L10103: . . 1. . . 11. . .
68 L10104: . 11. 1. 1. 1. . .
69 L10105: 1. 1. 111. 11 -> L0256
70 L10106: . 11. . . 1. 1. . .
71 L10107: . 1. 1. 1. . . . .
72 L10110: . 11. 111111.
73 L10111: 111. 1. . . 11 -> L0350
74 L10112: . 1. 111111.
75 L10113: . 11. 111111.
76 L10114: . . 1. . . . 11 -> L0020
77 L10115: . . 1. 1. 1. . . . .
78 L10116: . . 11. . 1. 1. . .
79 L10117: . 1. 1. 11. . . . .
80 L10120: . . 1. . . 1. 1. . .
81 L10121: 111. . 11111 -> L0347
82 L10122: 1111. . 1. 1.

```

```

GTO : C EXCHANGE M
      GO TO GT01
RCL : C + 1 -> C[P]
STO : C + 1 -> C[P]
G : C + 1 -> C[P]
      NO OPERATION
F : C + 1 -> C[P]
      IF NO CARRY GO TO R3
      DELAYED SELECT ROM 1
      GO TO @343
      C + 1 -> C[P]
      C + 1 -> C[P]
      C + 1 -> C[P]
      IF NO CARRY GO TO THR
      LOAD CONSTANT 8
      GO TO R3
      DELAYED SELECT ROM 1
      GO TO @143
      C + 1 -> C[P]
      C + 1 -> C[P]
      C + 1 -> C[P]
      IF NO CARRY GO TO R0
      LOAD CONSTANT 8
      GO TO R2
      NO OPERATION
      C + 1 -> C[P]
      IF NO CARRY GO TO RS1
      GO TO DP1
      ZER : GO TO R0
      NO OPERATION
      LOAD CONSTANT 8
      GO TO R1
      SST : 1 -> S5
      GO TO BST
      C + 1 -> C[P]
      RDN : C + 1 -> C[P]
      XEY : C + 1 -> C[P]
      NO OPERATION
      FIT : C + 1 -> C[P]
      IF NO CARRY GO TO R2
      DIS30 : SHIFT RIGHT ACMJ
      JSB DIS31
      NIN : C + 1 -> C[P]
      EIG : C + 1 -> C[P]
      SEV : C + 1 -> C[P]
      IF NO CARRY GO TO SIX
      SUB : LOAD CONSTANT 8
      GO TO R4
      CLX : C + 1 -> C[P]
      NO OPERATION
      EEX : C + 1 -> C[P]
      CHS : C + 1 -> C[P]
      NO OPERATION
      NO OPERATION
      ENT : C + 1 -> C[P]
      R4 : C + 1 -> C[X]
      R3 : C + 1 -> C[X]
      R2 : C + 1 -> C[X]
      R1 : C + 1 -> C[X]
      R0 : 1 -> P
      IF S3 # 1
      THEN GO TO RUN
      PROG : C -> AC[X]
      C EXCHANGE M
      IF C[S] = 0
      THEN GO TO STFF
      C - 1 -> C[S]
      IF C[S] = 0
      THEN GO TO PROG2
      C EXCHANGE M
      0 -> C[X]
      LOAD CONSTANT 5
      IF A >= C[X]
      THEN GO TO STFF16
      A + C -> AC[X]

```

```

83 L10123: .1.1.1.1.
84 L10124: 1.11.1.11.
85 L10125: .1.1.1.1.
86 L10126: .1.1.1.11.
87 L10127: .11.1.1.1.
88 L10130: .11.1.11.
89 L10131: .1.11.11.
90 L10132: .1.11.1.1.
91 L10133: .....
92 L10134: 11.1111.1.
93 L10135: .1.1.11.
94 L10136: .....11.
95 L10137: .1.1.11.
96 L10140: 1.1111111.
97 L10141: 1.1.1.11.
98 L10142: 1.11.11.
99 L10143: .1.1.1.
100 L10144: .11.1.1.
101 L10145: .1.1.1.
102 L10146: .111.11.
103 L10147: 1.111.11.
104 L10150: .11.11.11 -> L0146
105 L10151: 1.1.1.1.
106 L10152: .11.1.1.
107 L10153: .111.11111 -> L0167
108 L10154: .1.1.1.1.
109 L10155: .11.111111 -> L0157
110 L10156: 1.1.1.11 -> L0220
111 L10157: .1.1.1.
112 L10160: 1.1.1.1.
113 L10161: .111.1.111 -> L0165
114 L10162: .1.1.11.
115 L10163: .11.1.1.
116 L10164: .11.1.
117 L10165: 1.1.1.11.
118 L10166: .111.1.11 -> L0162
119 L10167: .1.1.1.
120 L10170: .1.1.1.
121 L10171: .1111.1111 -> L0173
122 L10172: .11.1.111 -> L0145
123 L10173: .11.1.1.
124 L10174: .1111.1.
125 L10175: .111.1.
126 L10176: 1.111.1.
127 L10177: 1.
128 L10200: .1.1.1.1.
129 L10201: 111.1.111 -> L0351
130 L10202: .111.1.
131 L10203: 1.111.11.
132 L10204: 1.1.1.11 -> L0200
133 L10205: .11111111.
134 L10206: 1.1.1.11 -> L0200
135 L10207: .111.11111 -> L0167
136 L10210: 1111.1.1.
137 L10211: 11.1.1.1.
138 L10212: 111.1.111 -> L0341
139 L10213: 11.1.11.
140 L10214: 11111.1.1.
141 L10215: .11.1.11 -> L0060
142 L10216: 1.11.11.11 -> L0266
143 L10217: .....
144 L10220: .11.1111.
145 L10221: .1.1.1.
146 L10222: .11.1.1.
147 L10223: .111.1.1.
148 L10224: 1.1.1.1.
149 L10225: 1.11.1.11 -> L0230
150 L10226: 1.1.1.1.
151 L10227: .11.1.1.11 -> L0142
152 L10230: .11.1.11.
153 L10231: 1.1.1.1.
154 L10232: .1.1.111.
155 L10233: 1.1.1.1.
156 L10234: 1.1.1.11.
157 L10235: .111.1.

```

```

A - C -> C[X]
SHIFT RIGHT ACMSJ
SHIFT LEFT ACXJ
SHIFT LEFT ACWJ
C -> ACXJ
0 -> C[W]
C - 1 -> C[MSJ]
C - 1 -> C[P]
NO OPERATION
PROG3 : A - 1 -> ACXSJ
PROG1 : 5 -> P
LOAD CONSTANT 0
LOAD CONSTANT 2
0 -> AC[S]
B EXCHANGE C[W]
WAT0 : 11 -> P
C EXCHANGE M
0 -> C[P]
WAT1 : 0 -> S0
WAT2 : P - 1 -> P
IF P # 11
THEN GO TO WAT2
DISPLAY OFF
IF C[P] = 0
THEN GO TO WAT3
IF S5 # 1
THEN GO TO WAT13
WAT13 : GO TO SRUN
C EXCHANGE M
IF S9 # 1
THEN GO TO WAT14
TKR : 1 -> P
0 -> C[X]
KEYS -> ROM ADDRESS
WAT14 : B EXCHANGE C[W]
GO TO TKR
WAT3 : DISPLAY TOGGLE
WAT7 : IF S0 # 1
THEN GO TO WAT4
GO TO WAT1
-----
WAT4 : 0 -> C[P]
C + 1 -> C[P]
0 -> S3
0 -> S11
ROM ADDRESS -> BUFFER
WAT6 : IF S5 # 1
THEN GO TO WAT5
P - 1 -> P
IF P # 11
THEN GO TO WAT6
C + 1 -> C[S]
IF NO CARRY GO TO WAT6
GO TO WAT3
DIS1 : A + C -> AC[W]
A - C -> AC[W]
IF NO CARRY GO TO DIS17
13 -> P
DIS31 : A + 1 -> AC[X]
IF NO CARRY GO TO DIS30
GO TO DIS76
NO OPERATION
SRUN : 0 -> C[S]
C EXCHANGE M
CLEAR STATUS
1 -> S7
DISP : IF S9 # 1
THEN GO TO DIS99
DIS70 : 0 -> S8
GO TO WAT0
DIS99 : C -> AC[W]
M -> C
DIS50 : A -> B[W]
1 -> S9
8 -> P
DIS0 : P - 1 -> P

```

```

158 L10236: 1..1..111.
159 L10237: ...11.11..
160 L10240: 1..111.111 -> L0235
161 L10241: ...11...1.
162 L10242: 1..11..1111 -> L0263
163 L10243: 1..1111.1.
164 L10244: 1...1...11 -> L0210
165 L10245: 1..11...1.
166 L10246: 111...111 -> L0341
167 L10247: 11.1...11..
168 L10250: .....111..
169 L10251: 11.11.1.1.
170 L10252: 1..1.1...11 -> L0250
171 L10253: 1..11.11.11 -> L0266
172 L10254: 1..11...1..
173 L10255: 1..1.11.11 -> L0226
174 L10256: 1..1.1.1.1.
175 L10257: ...1..1.... -> L1260 *****
176 L10260: 1....1.1..
177 L10261: ..1111...11 -> L0170
178 L10262: 1..1...11.. -> L0220
179 L10263: 1..11...1..
180 L10264: ...11...1.
181 L10265: 11...11..
182 L10266: ...11.1.11.
183 L10267: ..1111...1.
184 L10270: ..1111...1.
185 L10271: .....111..
186 L10272: ...1.1.11..
187 L10273: 11...1.111 -> L0305
188 L10274: ...11..1.1.
189 L10275: 111.1.111.
190 L10276: 1..1.1.1..
191 L10277: 11.11...11 -> L0330
192 L10300: 11.11.1.1.
193 L10301: 11.11...1 -> L0330
194 L10302: ..1111...1.
195 L10303: 111111...11 -> L0374
196 L10304: 11..11...11 -> L0314
197 L10305: ..1.11.1.1.
198 L10306: 1.111...111 -> L0271
199 L10307: ...11.1.1.1.
200 L10310: ..1.111...1.
201 L10311: 111.1.111.
202 L10312: 1.1.1...1.
203 L10313: 111111...11 -> L0374
204 L10314: ...1111..
205 L10315: 11.11.11..
206 L10316: 11...1.11 -> L0302
207 L10317: .....111..
208 L10320: ...11...11.
209 L10321: ..1111...1.
210 L10322: 1..1.1.1..
211 L10323: 11.1.11.11 -> L0326
212 L10324: 1.11.1.11.
213 L10325: 11.11.1.1.
214 L10326: ..1111.1.1.
215 L10327: 11111.1.1.
216 L10330: ..111111.1.
217 L10331: 11.1111.11 -> L0336
218 L10332: ...1.1.1.1.
219 L10333: 111.1.111.
220 L10334: 1...1.111.
221 L10335: 1.1.11...11 -> L0254
222 L10336: ..1.1111.1.
223 L10337: ..11.111.1.
224 L10340: 11.11.1111 -> L0333
225 L10341: 11..1.111.
226 L10342: 1.1.1.1...
227 L10343: 1....11..
228 L10344: ...1.11...
229 L10345: 1..1.11...
230 L10346: 1..11.1.11 -> L0232
231 L10347: ...1.1.1...

```

```

SHIFT RIGHT CCW3
IF P # 1
    THEN GO TO DIS0
IF CCP1 >= 1
    THEN GO TO DIS2
IF ACXS1 >= 1
    THEN GO TO DIS1
IF ACP1 >= 1
    THEN GO TO DIS17
13 -> P
DIS10 : P - 1 -> P
        A - 1 -> ACX1
        IF NO CARRY GO TO DIS10
        GO TO DIS76
DIS71 : 0 -> S9
        GO TO DIS70
RUN : SHIFT RIGHT CCX1
      SELECT ROM 1
INRUN : IF S8 # 1
        THEN GO TO WAT7
        GO TO SRUN
DIS2 : 0 -> S9
       0 -> CCP1
       12 -> P
DIS76 : 0 -> CCMS1
        C + 1 -> CCP1
        C + 1 -> CCP1
DIS11 : P - 1 -> P
        IF P # 2
            THEN GO TO DIS12
        0 -> CCX1
        A EXCHANGE CCW1
        IF S9 # 1
            THEN GO TO DIS62
        A - 1 -> ACX1
        JSB DIS62
DIS53 : C + 1 -> CCP1
        IF NO CARRY GO TO DIS15
        GO TO DIS54
DIS12 : C - 1 -> CCX1
        IF NO CARRY GO TO DIS11
        0 -> CCWP1
        C - 1 -> CCWP1
        A EXCHANGE CCW1
        C + C -> CCP1
DIS54 : IF NO CARRY GO TO DIS15
        P + 1 -> P
        IF P # 13
            THEN GO TO DIS53
        P - 1 -> P
        0 -> CCM1
        C + 1 -> CCP1
        IF S9 # 1
            THEN GO TO DIS60
        SHIFT RIGHT ACMS1
        A - 1 -> ACX1
DIS60 : C + 1 -> CCX1
DIS65 : A + 1 -> ACX1
DIS62 : C + 1 -> CCXS1
        IF NO CARRY GO TO DIS63
        0 - C -> CCX1
DIS61 : A EXCHANGE CCW1
        B EXCHANGE CCW1
        GO TO DIS71
DIS63 : C - 1 -> CCXS1
        IF CCXS1 = 0
            THEN GO TO DIS61
DIS17 : A EXCHANGE BCW1
        M -> C
        8 -> P
        LOAD CONSTANT 1
        LOAD CONSTANT 9
        GO TO DIS50
STFF10: C EXCHANGE M

```

```

232 L10350: . . . 1 . . . . . -> L1351
233 L10351: 1 . 1 1 . 1 . . .
234 L10352: 1 1 1 . 1 1 . 1 1 1 -> L0355
235 L10353: 1 1 1 1 . . 1 . . . -> L0362
236 L10354: . . 1 1 . . 1 . . . -> L3355
237 L10355: . . 1 1 . 1 . 1 . .
238 L10356: 1 . 1 1 . . . 1 1 -> L0260
239 L10357: 1 . . . 1 . 1 . . .
240 L10360: 1 1 1 1 1 . 1 1 1 -> L0371
241 L10361: . 1 1 1 1 . . 1 1 -> L0170
242 L10362: . . 1 1 . 1 1 1 1 .
243 L10363: . . 1 . 1 . 1 . . .
244 L10364: 1 . . 1 . 1 . 1 . .
245 L10365: 1 1 1 1 . 1 1 1 1 1 -> L0367
246 L10366: . . . . 1 1 . . . .
247 L10367: 1 . . . 1 . 1 1 1 .
248 L10370: . . . . 1 1 . . . .
249 L10371: 1 1 1 1 . . 1 . . 1 -> L0362
250 L10372: 1 . . . 1 1 . 1 . .
251 L10373: 1 . 1 . . 1 . . . -> L5374
252 L10374: 1 . . 1 . 1 . 1 . .
253 L10375: 1 1 . 1 . 1 1 1 1 1 -> L0327
254 L10376: . . 1 1 . 1 1 . 1 .
255 L10377: 1 1 . 1 1 . . . 1 1 -> L0330

```

```

0 L11000: . . . . . . . . . .
1 L11001: . . . 1 . 1 . . . .
2 L11002: . . . 1 1 . 1 . . .
3 L11003: . . . 1 1 1 1 1 1 1 1 -> L1037
4 L11004: . . 1 1 . . 1 1 1 .
5 L11005: . . 1 1 . . 1 1 1 .
6 L11006: . 1 1 1 1 . . 1 1 .
7 L11007: . 1 . . . . 1 1 . .
8 L11010: . 1 . 1 . 1 . 1 . .
9 L11011: . . . . 1 1 1 1 1 1 1 1 -> L1017
10 L11012: . 1 . 1 1 . . 1 . .
11 L11013: 1 1 1 1 . 1 . . 1 .
12 L11014: 1 1 1 . 1 . 1 1 1 .
13 L11015: . . 1 . 1 . 1 . . .
14 L11016: . . 1 1 1 1 . 1 1 1 1 -> L1075
15 L11017: 1 1 . 1 . 1 . . 1 .
16 L11020: . . . . 1 1 . . . 1 1 -> L1014
17 L11021: . . . 1 . . 1 1 . .
18 L11022: 1 1 1 . 1 . 1 1 1 .
19 L11023: . 1 1 . 1 . . . 1 .
20 L11024: . . . 1 . 1 1 1 1 1 1 -> L1027
21 L11025: . . 1 1 1 . 1 . 1 .
22 L11026: . . 1 1 . 1 1 . 1 .
23 L11027: . 1 1 . . . 1 . 1 .
24 L11030: . 1 . . 1 1 1 1 1 1 1 -> L1117
25 L11031: 1 . . 1 . . 1 1 1 .
26 L11032: . . . . 1 1 1 . . .
27 L11033: 1 . 1 . 1 1 . 1 1 1 -> L1255
28 L11034: 1 . . 1 . . 1 1 1 .
29 L11035: . . . . 1 1 1 . . .
30 L11036: . . 1 1 1 1 1 1 1 1 1 -> L1077
31 L11037: . 1 . 1 . 1 . 1 . .
32 L11040: 1 . 1 . . . 1 1 1 1 -> L1241
33 L11041: . 1 . 1 1 . . 1 . .
34 L11042: 1 . . 1 1 1 . 1 1 1 -> L1235
35 L11043: 1 1 . 1 . 1 . . 1 .
36 L11044: 1 1 . 1 1 1 . 1 1 1 -> L1335
37 L11045: 1 1 . . . 1 1 . .
38 L11046: . . 1 1 . 1 . 1 . .
39 L11047: . 1 . 1 1 1 . . 1 .
40 L11050: . 1 . . . . 1 1 . .
41 L11051: 1 . 1 1 . . 1 1 1 1 -> L1263
42 L11052: . . . . . . . . . .
43 L11053: . . 1 1 . . 1 . 1 .
44 L11054: . . 1 1 . 1 1 . . .
45 L11055: . . 1 1 . . 1 1 1 1 -> L1063
46 L11056: . 1 1 . 1 . 1 . 1 .
47 L11057: . . 1 1 . 1 1 1 1 1 -> L1067
48 L11060: . 1 . 1 1 . 1 . 1 .

```

```

***** STFF : SELECT ROM 1
WAT5 : IF S11 # 1
      THEN GO TO ROP
      JSB FUTZ
***** INCLK : SELECT ROM 3
ROP : IF S3 # 1
      THEN GO TO INRUN
      INLRN : IF S8 # 1
            THEN GO TO SLRN
            GO TO WAT7
      FUTZ : 0 -> C[S]
            C EXCHANGE M
            IF S9 # 1
            THEN GO TO FUTZ1
            RETURN
      FUTZ1 : B EXCHANGE C[W]
            RETURN
      SLRN : JSB FUTZ
      SLRN2 : DELAYED SELECT GROUP 0
***** DIS15 : SELECT ROM 5
            IF S9 # 1
            THEN GO TO DIS65
            0 -> C[W]
            JSB DIS62

NO OPERATION
BST1 : C EXCHANGE M
      IF S3 # 1
      THEN GO TO BSTR
      C -> A[W]
      0 -> C[W]
      C + 1 -> C[M]
      4 -> P
      IF S5 # 1
      THEN GO TO BST2
      0 -> S5
      A + C -> A[W]
SST2 : C EXCHANGE C[W]
      C EXCHANGE M
      GO TO LDIS
BST2 : A - C -> A[W]
      JSB SST2
LDIS4 : 1 -> P
      A EXCHANGE C[W]
      IF C[P] = 0
      THEN GO TO LDIS6
      0 - C - 1 -> C[X]
      0 -> C[X]
LDIS6 : C -> A[X]
      GO TO LDIS5
PKX1 : SHIFT RIGHT C[W]
      P - 1 -> P
      GO TO PKX2
LDIS2 : SHIFT RIGHT C[W]
      P - 1 -> P
      GO TO LDIS1
BSTR : IF S5 # 1
      THEN GO TO BSTR1
SSTR : 0 -> S5
      GO TO SSTR1
SKC2 : A - C -> A[W]
      IF NO CARRY GO TO SKC1
      12 -> P
      0 -> C[W]
      C - 1 -> C[W]
      4 -> P
      GO TO SKC50
NO OPERATION
IKC12 : 0 -> C[X]
IKC3 : IF P # 1
      THEN GO TO IKC2
IKC5 : IF C[X] = 0
      THEN GO TO IKC4
      C - 1 -> C[X]

```

49	L11061:	...1111...			P + 1 -> P
50	L11062:	...1111.11	-> L1056		GO TO IKC5
51	L11063:	...1111.1.1.		IKC2 :	C + 1 -> C[X]
52	L11064:	...1111.111.			SHIFT LEFT ACW]
53	L11065:	...1111...			P - 1 -> P
54	L11066:	...1.111.11	-> L1054		GO TO IKC3
55	L11067:	...1.1111...		IKC4 :	DATA -> C
56	L11070:	...111.1.1.1.			A EXCHANGE C[P]
57	L11071:	...1111.111.			P - 1 -> P
58	L11072:	...111.1.1.1.			A EXCHANGE C[P]
59	L11073:	...1.1111...			C -> DATA
60	L11074:	...1111111.1	-> L1377		JSB FIX
61	L11075:	...1111.1.1.1.	-> L1362	LDIS :	JSB SKC
62	L11076:	...1.1111...			DATA -> C
63	L11077:	...11.111.		LDIS1 :	IF P # 1
64	L11100:	...111.1.11	-> L1034		THEN GO TO LDIS2
65	L11101:	...1111.111	-> L1171		GO TO LDIS49
66	L11102:	...11.1.1.1.		LDIS51:	C -> A[X]
67	L11103:	...11.1.1.1.			0 -> C[X]
68	L11104:	...1.1.11...			1 -> P
69	L11105:	...1.1.11...			LOAD CONSTANT 5
70	L11106:	...1.1111.1.			0 -> A[X]
71	L11107:	...11.1.1.1.			A - C -> A[X]
72	L11110:	...1.111.11	-> L1116		IF NO CARRY GO TO LDIS3
73	L11111:	...1111.1.1.			A + C -> A[X]
74	L11112:	...1.1.1.1.			SHIFT RIGHT C[X]
75	L11113:	...1.1.1.1.			IF A >= C[P]
76	L11114:	...1.1.111	-> L1021		THEN GO TO LDIS4
77	L11115:	...1.111111	-> L1117		GO TO LDIS5
78	L11116:	...11.1111.1.		LDIS3 :	A - 1 -> A[X]
79	L11117:	...1.1.1.1...		LDIS5 :	M -> C
80	L11120:	...11.1.11.			C -> A[M]
81	L11121:	...1.1.1.11.			SHIFT LEFT A[M]
82	L11122:	...11.1.111.			0 -> C[W]
83	L11123:	...1.111.11.			C - 1 -> C[MS]
84	L11124:	...1111.1.1.			C + 1 -> C[X]
85	L11125:	...1.11.1.1.			IF S11 # 1
86	L11126:	...1.11.1.11	-> L1130		THEN GO TO LDIS9
87	L11127:	...11.1.1.1.			0 -> C[X]
88	L11130:	...1.11.1.1.		LDIS9 :	C - 1 -> C[X]
89	L11131:	...1.1.1.1...			C EXCHANGE M
90	L11132:	...11.1111.			0 -> C[S]
91	L11133:	...1.1.1.1...			C EXCHANGE M
92	L11134:	...1.1.1.1...	-> L0135	***** LDIS10:	SELECT ROM 0
93	L11135:	...11.1111.		CLPX :	0 -> C[S]
94	L11136:	...11.1.1.1.			0 -> S6
95	L11137:	...1.1.1.1...			0 -> S4
96	L11140:	...1.1.1.1...		CLPX1 :	0 -> S2
97	L11141:	...11.1.1.1.			0 -> S1
98	L11142:	...11.1.1.1.			RETURN
99	L11143:	...11.1111.		GT01 :	0 -> C[S]
100	L11144:	...11111111.			C + 1 -> C[S]
101	L11145:	...11111111.			C + 1 -> C[S]
102	L11146:	...1.1.1.1...			C EXCHANGE M
103	L11147:	...11.1.1.1.			IF S3 # 1
104	L11150:	...11111.11	-> L1174		THEN GO TO GTORUN
105	L11151:	...1.1.1.1...			M -> C
106	L11152:	...1111.11.			C + 1 -> C[M]
107	L11153:	...11.1.1.11.			C -> A[M]
108	L11154:	...1.1.1.11.			4 -> P
109	L11155:	...1.1.1.1.1.			C + C -> C[P]
110	L11156:	...111.1.1.11	-> L1162		IF NO CARRY GO TO GT03
111	L11157:	...11.1.1.1...			LOAD CONSTANT 0
112	L11160:	...11.1.1.1.			LOAD CONSTANT 0
113	L11161:	...111.1.1.11	-> L1352		GO TO STFF2
114	L11162:	...1.1.1.11.		GT03 :	SHIFT LEFT A[M]
115	L11163:	...11.1.111.			0 -> C[W]
116	L11164:	...1.11.111.			C - 1 -> C[W]
117	L11165:	...11.11.1.1.			0 -> C[X]
118	L11166:	...1.1111.1.			0 -> A[X]
119	L11167:	...11.1111.1.			A - 1 -> A[X]
120	L11170:	...1.111.1.1	-> L1134		JSB LDIS10
121	L11171:	...1.11.1.1...		LDIS49:	IF S11 # 1
122	L11172:	...1111.1.11	-> L1300		THEN GO TO LDIS50
123	L11173:	...1.1.1.1.11	-> L1102		GO TO LDIS51

```

124 L11174: 111111111 -> L1140
125 L11175: 111111111
126 L11176: 111111111 -> L1200
127 L11177: 111111111 -> L1201
128 L11200: 111111111
129 L11201: 111111111
130 L11202: 111111111
131 L11203: 111111111
132 L11204: 111111111 -> L1215
133 L11205: 111111111
134 L11206: 111111111
135 L11207: 111111111
136 L11210: 111111111 -> L1227
137 L11211: 111111111
138 L11212: 111111111 -> L1230
139 L11213: 111111111
140 L11214: 111111111 -> L1223
141 L11215: 111111111
142 L11216: 111111111 -> L1223
143 L11217: 111111111
144 L11220: 111111111
145 L11221: 111111111
146 L11222: 111111111 -> L1205
147 L11223: 111111111
148 L11224: 111111111
149 L11225: 111111111
150 L11226: 111111111 -> L1224
151 L11227: 111111111
152 L11230: 111111111
153 L11231: 111111111
154 L11232: 111111111
155 L11233: 111111111 -> L1246
156 L11234: 111111111 -> L1247
157 L11235: 111111111
158 L11236: 111111111
159 L11237: 111111111
160 L11240: 111111111 -> L1247
161 L11241: 111111111 -> L1135
162 L11242: 111111111
163 L11243: 111111111
164 L11244: 111111111
165 L11245: 111111111 -> L1175
166 L11246: 111111111
167 L11247: 111111111 -> L1362
168 L11250: 111111111
169 L11251: 111111111 -> L1254
170 L11252: 111111111
171 L11253: 111111111 -> L1007
172 L11254: 111111111
173 L11255: 111111111
174 L11256: 111111111 -> L1031
175 L11257: 111111111 -> L1377
176 L11260: 111111111
177 L11261: 111111111
178 L11262: 111111111 -> L1020
179 L11263: 111111111
180 L11264: 111111111
181 L11265: 111111111
182 L11266: 111111111
183 L11267: 111111111
184 L11270: 111111111
185 L11271: 111111111 -> L1260
186 L11272: 111111111
187 L11273: 111111111
188 L11274: 111111111
189 L11275: 111111111
190 L11276: 111111111
191 L11277: 111111111
192 L11300: 111111111
193 L11301: 111111111
194 L11302: 111111111
195 L11303: 111111111
196 L11304: 111111111
197 L11305: 111111111
198 L11306: 111111111

```

```

GTORUN: JSB CLPX1
EOP : IF S9 # 1
      THEN GO TO EOP1
      GO TO EOF
EOP1 : B EXCHANGE C[W]
EOF : C EXCHANGE M
EOF7 : 12 -> P
      IF S8 # 1
      THEN GO TO EOF8
GO : 11 -> P
     0 -> S0
     IF S0 # 1
     THEN GO TO EOF2
     IF CCP1 >= 1
     THEN GO TO EOF3
     12 -> P
     GO TO STOP1
EOF8 : IF CCP1 = 0
      THEN GO TO STOP1
      C + 1 -> C[M]
      C + 1 -> CCP1
      C - 1 -> CCP1
      IF NO CARRY GO TO GO
STOP1 : 0 -> CCP1
       C EXCHANGE M
       DELAYED SELECT ROM 0
       GO TO @224
EOF2 : 0 -> CCP1
EOF3 : DISPLAY TOGGLE
       C EXCHANGE M
       IF S9 # 1
       THEN GO TO GO1
       GO TO GO2
SSTR1 : 12 -> P
        LOAD CONSTANT 9
        C EXCHANGE M
        GO TO GO2
BSTR1 : JSB CLPX
        4 -> P
        0 -> C[W]
        C EXCHANGE M
        GO TO EOP
GO1 : B EXCHANGE C[W]
GO2 : JSB SKC
      IF S11 # 1
      THEN GO TO GO4
      DELAYED SELECT GROUP 0
      GO TO @007
GO4 : DATA -> C
PKX2 : IF P # 1
      THEN GO TO PKX1
      JSB FIX
RUN : 1 -> P
DECODE: DELAYED SELECT GROUP 0
        GO TO @020
SKC50 : A EXCHANGE C[W]
        C -> AL[W]
        15 -> P
SKC3 : P - 1 -> P
        P - 1 -> P
        C + 1 -> C[M]
        IF NO CARRY GO TO SKC3
        SHIFT RIGHT C[M]
        C + 1 -> C[S]
        C + 1 -> C[S]
        SHIFT RIGHT C[W]
        0 -> C[X]
        C + 1 -> C[X]
        C -> DATA ADDRESS
        0 -> C[X]
        C - 1 -> C[X]
        C - 1 -> C[X]
        C - 1 -> C[X]
        A EXCHANGE C[W]
        SHIFT LEFT AL[X]

```

```

199 L11307: 1.11111.1.
200 L11310: 1.1.1.111.
201 L11311: 1.1.1.111.
202 L11312: 111.1.111.
203 L11313: 1.1111111.
204 L11314: 1.1111111.
205 L11315: 1.1111111.
206 L11316: 11.1.1.11 -> L1324
207 L11317: 11111.11.
208 L11320: 1.1.1.1.1.
209 L11321: 111.1.111.
210 L11322: 1.1.1.1.1.
211 L11323: 11.1.1.1.
212 L11324: 1111.11.11.
213 L11325: 11.11.111 -> L1315
214 L11326: 111.11.1.1.
215 L11327: 1.11.1.1.1.
216 L11330: 111.11.1.1.
217 L11331: 1.1.1.1.1.
218 L11332: 11.11.1.11.
219 L11333: 111111111.
220 L11334: 111111111.
221 L11335: 111111111.
222 L11336: 1.1.1.1111 -> L1043
223 L11337: 111.1.111.
224 L11340: 1.11.1.1.1.
225 L11341: 1.11.1.1.1.
226 L11342: 1111.11.11 -> L1366
227 L11343: 1.1.1.1.1.
228 L11344: 1.11111.1.
229 L11345: 111.1.1.11 -> L1350
230 L11346: 1.1.1.1.1.
231 L11347: 1.11.1.1.1.
232 L11350: 1.1.1.1.1.
233 L11351: 1111.11.11.
234 L11352: 1.1.1.1.1.
235 L11353: 1.11.1.1.1.
236 L11354: 1111.1.1.1 -> L1362
237 L11355: 1.11.1.1.1.
238 L11356: 1.1.1.1111 -> L1053
239 L11357: 1.1111.111 -> L1075
240 L11360: 11111111.1 -> L1377
241 L11361: 1.1.1.1.11 -> L1102
242 L11362: 1.111.1.1.
243 L11363: 1.1.1.1.1.
244 L11364: 111.1.111.
245 L11365: 1.1.1.1.1.
246 L11366: 1.11.111.
247 L11367: 1.1.1.1.1.
-----
248 L11370: 111.11.1.1.
249 L11371: 1.11.1.11.
250 L11372: 11.1.11.11 -> L1326
251 L11373: 111.11.1.1.
252 L11374: 1.11.1.1.1.
253 L11375: 11.1.1.11 -> L1320
254 L11376: 1.1.1.1.1.
255 L11377: 1.1.1.1.1. -> L2400
-----
0 L12000: 1.1.1.1.1.
1 L12001: 1.1.1.1.1.
2 L12002: 1.11.1.1.1.
3 L12003: 1.1111.1.1.
4 L12004: 11.1.1.11 -> L2322
5 L12005: 1.111.1.1.1.
6 L12006: 1.11.1.11.
7 L12007: 1.1.1.11.
8 L12010: 1.1.1.1.1.
9 L12011: 111.1.11.
10 L12012: 1.1111111.
11 L12013: 1.1.1.111 -> L2005
12 L12014: 111.1.1.11 -> L2344
13 L12015: 1.11.1.1.1.
14 L12016: 11.11.1.11 -> L2314
15 L12017: 11.1.1111 -> L2323
16 L12020: 11.11.1.1.

```

```

0 -> ACXS]
SHIFT LEFT ACW]
SHIFT LEFT ACW]
A EXCHANGE C[W]
C - 1 -> C[S]
C - 1 -> C[S]
C - 1 -> C[S]
SKC6 : C - 1 -> C[S]
        IF NO CARRY GO TO SKC5
SKC8 : A + 1 -> A[M]
SKC9 : C EXCHANGE M
        A EXCHANGE C[W]
FIXIN : C EXCHANGE M
        RETURN
SKC5 : A + C -> A[M]
        IF NO CARRY GO TO SKC6
SKC10 : A EXCHANGE C[W]
        3 -> P
        LOAD CONSTANT 7
        4 -> P
        A - 1 -> A[M]
        C + 1 -> C[S]
        C + 1 -> C[S]
SKC1 : C + 1 -> C[S]
        IF NO CARRY GO TO SKC2
        A EXCHANGE C[W]
        0 -> C[W]
        C -> A[M]
        GO TO SKC7
PROG2 : C EXCHANGE M
        IF ACXS] >= 1
            THEN GO TO STFF10
SHIFT LEFT ACX]
SHIFT RIGHT ACW]
STFF10 : C EXCHANGE M
STFF  : C + 1 -> C[M]
STFF2 : C EXCHANGE M
        SHIFT RIGHT ACX]
        JSB SKC
        IF S11 # 1
            THEN GO TO IKC12
        GO TO LDIS
LDIS50 : JSB FIX
        GO TO LDIS51
SKC   : 0 -> S11
        C EXCHANGE M
        A EXCHANGE C[W]
        C EXCHANGE M
SKC7  : 0 -> C[W]
        4 -> P
-----
A EXCHANGE C[W]
IF C[M] >= 1
    THEN GO TO SKC10
SKC4  : A EXCHANGE C[W]
        1 -> S11
        GO TO SKC9
        NO OPERATION
***** FIX : SELECT ROM 2
FIX   : C EXCHANGE M
        5 -> P
        C - 1 -> C[P]
$$$$$ DELAYED SELECT ROM 1
        GO TO @322
HMS7  : C + 1 -> C[X]
        SHIFT RIGHT ACW]
        0 -> B[W]
        A -> B[X]
        A + B -> A[W]
        IF AC[S] >= 1
            THEN GO TO HMS7
        GO TO HMS6
HMS9  : IF B[X] = 0
            THEN GO TO HMS4
        GO TO HMS2
CON4  : A - 1 -> ACX]

```

```

17 L12021: .11.111111 -> L2147
18 L12022: .1.1.11.1.1
19 L12023: .1.1.11.1.1
20 L12024: .1.11.11.1.1
21 L12025: .1.1.11.1.1
22 L12026: .1.1.11.1.1
23 L12027: .1.1.11.1.1
24 L12030: .1.11.11.1.1
25 L12031: .111.11.1.1
26 L12032: .111.1.1.11 -> L2070
27 L12033: .11.11.1.1.1
28 L12034: .1.1.1.1.11 -> L2020
29 L12035: .1.1.11.1.1
30 L12036: .1.1.11.1.1
31 L12037: .1.1.11.1.1
32 L12040: .1.1.11.1.1
33 L12041: .1.1.11.1.1
34 L12042: .1.1.11.1.1
35 L12043: .1.1.11.1.1
36 L12044: .1.1.11.1.1
37 L12045: .1.1.11.1.1
38 L12046: .1.11.11.1.1
39 L12047: .1.1.11.1.1
40 L12050: .1.11.11.1.1
41 L12051: .1.111.1.111 -> L2071
42 L12052: .11.1.11.1.1
43 L12053: .11.11.1.1.1
44 L12054: .1.11.11.111 -> L2033
45 L12055: .1.1.11.1.1
46 L12056: .111.11.1.1
47 L12057: .1.1.11.1.1
48 L12060: .1.1.11.1.1
49 L12061: .1.11.11.1.1
50 L12062: .1.1.11.1.1
51 L12063: .1.1.11.1.1
52 L12064: .1.1.11.1.1
53 L12065: .1.1.11.1.1
54 L12066: .1.1.11.1.1
55 L12067: .1.11.1.1.1
56 L12070: .1.11.1.1.1
57 L12071: .1.1.11.1.1
58 L12072: .1111.1.111 -> L2361
59 L12073: .11.11.1.1.1
60 L12074: .1.1.1.1.11 -> L2102
61 L12075: .1.1.11.1.1
62 L12076: .1.1.11.1.1
63 L12077: .1.1.11.1.1
64 L12100: .1111.1.1.1
65 L12101: .1.111.1.111 -> L2071
66 L12102: .11.11.1.1.1
67 L12103: .1111.1.111 -> L2365
68 L12104: .1.11.11.1.1
69 L12105: .1.1.11.1.1
70 L12106: .1.1.11.1.1
71 L12107: .1.1.11.1.1
72 L12110: .1.111.1.11 -> L2070
73 L12111: .11.11.1.1.1
74 L12112: .1.111.1111 -> L2073
75 L12113: .1.1.1.1.1.1
76 L12114: .1.111.1.111 -> L2071
77 L12115: .1.1.11.1.1
78 L12116: .1.1.1.1.1.1
79 L12117: .1.1.1.1.11 -> L2124
80 L12120: .1.1.11.1.1
81 L12121: .1.1.1.1.11 -> L2124
82 L12122: .1.1.1.1.1.1
83 L12123: .1.1.11.1.1
84 L12124: .1.1111.1.1
85 L12125: .1.1.1.1.11 -> L2202
86 L12126: .1.1.1.1.1.1
87 L12127: .1.1.1.1.1.1
88 L12130: .11.1.11.1.1
89 L12131: .1.111111.1.1
90 L12132: .1.11111111 -> L2177
91 L12133: .1.1111.1.1

```

```

IF NO CARRY GO TO CON5
LBMKG : LOAD CONSTANT 4
LOAD CONSTANT 5
LOAD CONSTANT 3
LOAD CONSTANT 5
LOAD CONSTANT 9
LOAD CONSTANT 2
LOAD CONSTANT 3
LOAD CONSTANT 7
GO TO OUT2
CON3 : A - 1 -> A[X]
IF NO CARRY GO TO CON4
BTUJ : LOAD CONSTANT 1
LOAD CONSTANT 0
LOAD CONSTANT 5
LOAD CONSTANT 5
LOAD CONSTANT 0
LOAD CONSTANT 5
LOAD CONSTANT 5
LOAD CONSTANT 8
LOAD CONSTANT 5
LOAD CONSTANT 3
0 -> P
LOAD CONSTANT 3
GO TO OUT
CON2 : 12 -> P
A - 1 -> A[X]
IF NO CARRY GO TO CON3
DR : LOAD CONSTANT 1
LOAD CONSTANT 7
LOAD CONSTANT 4
LOAD CONSTANT 5
LOAD CONSTANT 3
LOAD CONSTANT 2
LOAD CONSTANT 9
LOAD CONSTANT 2
LOAD CONSTANT 5
LOAD CONSTANT 2
OUT1 : C - 1 -> C[X]
OUT2 : C - 1 -> C[X]
#### OUT : DELAYED SELECT GROUP 0
GO TO 0361
CON7 : A - 1 -> A[X]
IF NO CARRY GO TO CON8
INMM : LOAD CONSTANT 2
LOAD CONSTANT 5
LOAD CONSTANT 4
C + 1 -> C[X]
IF NO CARRY GO TO OUT
CON8 : A - 1 -> A[X]
IF NO CARRY GO TO CALL
FTM : LOAD CONSTANT 3
LOAD CONSTANT 0
LOAD CONSTANT 4
LOAD CONSTANT 8
GO TO OUT2
CON6 : A - 1 -> A[X]
IF NO CARRY GO TO CON7
FC : 1 -> S5
GO TO OUT
RS2 : C - 1 -> C[P]
IF C[P] = 0
THEN GO TO EOF7
LOAD CONSTANT 9
GO TO EOF7
RS1 : 1 -> S8
LOAD CONSTANT 1
#### EOF7 : DELAYED SELECT ROM 1
GO TO 0202
NO OPERATION
NO OPERATION
XFT0 : 12 -> P
IF C[S] >= 1
THEN GO TO ERR1
IF C[X] >= 1

```



```

92 L12134: .1111111111 -> L2177
93 L12135: .1111111111
94 L12136: .1111111111
95 L12137: .1111111111
96 L12140: .1111111111
97 L12141: .1111111111 -> L2210
98 L12142: .1111111111
99 L12143: .1111111111
100 L12144: .1111111111 -> L2213
101 L12145: .1111111111
102 L12146: .1111111111 -> L2254
103 L12147: .1111111111
104 L12150: .1111111111 -> L2111
105 L12151: .1111111111
106 L12152: .1111111111
107 L12153: .1111111111
108 L12154: .1111111111
109 L12155: .1111111111
110 L12156: .1111111111
111 L12157: .1111111111
112 L12160: .1111111111
113 L12161: .1111111111
114 L12162: .1111111111
115 L12163: .1111111111 -> L2071
116 L12164: .1111111111
117 L12165: .1111111111
118 L12166: .1111111111 -> L2221
119 L12167: .1111111111
120 L12170: .1111111111
121 L12171: .1111111111
122 L12172: .1111111111
123 L12173: .1111111111
124 L12174: .1111111111
125 L12175: .1111111111
126 L12176: .1111111111 -> L2164
127 L12177: .1111111111
128 L12200: .1111111111 -> L2120
129 L12201: .1111111111
130 L12202: .1111111111 -> L2317
131 L12203: .1111111111
132 L12204: .1111111111
133 L12205: .1111111111 -> L2310
134 L12206: .1111111111
135 L12207: .1111111111 -> L0210
136 L12210: .1111111111
137 L12211: .1111111111 -> L2136
138 L12212: .1111111111 -> L2177
139 L12213: .1111111111
140 L12214: .1111111111
141 L12215: .1111111111
142 L12216: .1111111111
143 L12217: .1111111111
144 L12220: .1111111111
145 L12221: .1111111111 -> L2224
146 L12222: .1111111111
147 L12223: .1111111111
148 L12224: .1111111111
149 L12225: .1111111111
150 L12226: .1111111111 -> L2232
151 L12227: .1111111111
152 L12230: .1111111111
153 L12231: .1111111111 -> L2230
154 L12232: .1111111111
155 L12233: .1111111111 -> L2241
156 L12234: .1111111111
157 L12235: .1111111111
158 L12236: .1111111111
159 L12237: .1111111111
160 L12240: .1111111111 -> L2237
161 L12241: .1111111111
162 L12242: .1111111111
163 L12243: .1111111111 -> L2220
164 L12244: .1111111111
165 L12245: .1111111111 -> L2220
166 L12246: .1111111111

```

```

          THEN GO TO ERR1
C -> ACW]
XFT2 : A -> BCW]
      SHIFT LEFT ACMS]
      IF ACWP] >= 1
          THEN GO TO XFT1
      A + 1 -> ACX]
      IF A >= CCX]
          THEN GO TO XFT3
      C + 1 -> CCXS]
      IF NO CARRY GO TO EOF
CONS5 : A - 1 -> ACX]
      IF NO CARRY GO TO CON6
LBFN : LOAD CONSTANT 4
      LOAD CONSTANT 4
      LOAD CONSTANT 4
      LOAD CONSTANT 8
      LOAD CONSTANT 2
      LOAD CONSTANT 2
      LOAD CONSTANT 1
      LOAD CONSTANT 6
      LOAD CONSTANT 1
      LOAD CONSTANT 5
      GO TO OUT
CO1 : LOAD CONSTANT 6
      DELAYED SELECT ROM 0
      GO TO @221
      NO OPERATION
      NO OPERATION
      NO OPERATION
      NO OPERATION
CO : C EXCHANGE M
      B -> P
      LOAD CONSTANT 0
      GO TO CO1
***** ERR1 : DELAYED SELECT GROUP 0
      GO TO @120
MHMS : IF BCW] = 0
          THEN GO TO EHMS0
      12 -> P
      B -> CCX]
      GO TO HMS1
***** EHMS : DELAYED SELECT GROUP 0
      SELECT ROM 0
***** XFT1 : A - 1 -> ACX]
      IF NO CARRY GO TO XFT2
      GO TO ERR1
XFT3 : 0 -> CCW]
      C + 1 -> CCP]
      SHIFT RIGHT CCW]
      C + 1 -> CCS]
      B EXCHANGE CCW]
XFT10 : IF BCP] = 0
          THEN GO TO XFT8
      SHIFT RIGHT BCWP]
      C + 1 -> CCX]
XFT8 : 0 -> ACW]
      A - C -> ACP]
      IF NO CARRY GO TO XFT4
      SHIFT LEFT ACW]
XFT5 : A + B -> ACW]
      IF NO CARRY GO TO XFT5
XFT4 : A - C -> ACS]
      IF NO CARRY GO TO XFT6
      SHIFT RIGHT ACWP]
      A + 1 -> ACW]
      C + 1 -> CCX]
XFT7 : A + B -> ACW]
      IF NO CARRY GO TO XFT7
XFT6 : A EXCHANGE BCWP]
      C - 1 -> CCP]
      IF NO CARRY GO TO XFT10
      C - 1 -> CCS]
      IF NO CARRY GO TO XFT10
      SHIFT LEFT ACW]

```

```

167 L12247: .1. .1.1.1.
168 L12250: 111.1.1.1.
169 L12251: .11.1.1.1.
170 L12252: 1111.111.
171 L12253: 111.11.11.
172 L12254: 1.11.1.1.
173 L12255: 1.11.11111 -> L2207
174 L12256: 1.1.1.1.1.
175 L12257: .111.1.1.1.
176 L12260: .11.1.1.1.
177 L12261: 1.1.1.1.1.
178 L12262: 1.1.11.1.1.
179 L12263: 1.1.11.1.1.
180 L12264: .1.1.1.1.1.
181 L12265: .1.1.1.1.1.
182 L12266: 11.11.1111 -> L2303
183 L12267: .11.1.1.1.
184 L12270: 11.11.1.1.1.
185 L12271: .1.1.1.1.11 -> L2052
186 L12272: .111.1.1.1.
187 L12273: 1.1.1.1.111 -> L2201
188 L12274: 11.1.1.1.1.
189 L12275: .11.1.1.1.1.
190 L12276: .1.1.1.1.11 -> L2122
191 L12277: 1.1.1.1.1.1.
192 L12300: .1.11.11.111 -> L2115
193 L12301: 1.1.1.1.1.1.
194 L12302: .1.1.1.1.11 -> L2124
195 L12303: 1111.1.1.1.
196 L12304: 1.1.1.1.1.1.
197 L12305: .111.1.1.1.
198 L12306: 11.11.1111 -> L2303
199 L12307: .11.1.1.1.
200 L12310: .1111.1.1.1.
201 L12311: .1111.1.1.1.
202 L12312: .1111.1.1.1.
203 L12313: .11.11.1111 -> L2015
204 L12314: .111.1.1.1.
205 L12315: .1.1.1.1.1.
206 L12316: 11.1.1.1.111 -> L2321
207 L12317: .1.1.1.1.1.1.
208 L12320: 1.1.11.11.11 -> L2206
209 L12321: .1.11.1.1.1.
210 L12322: 11.11.11.111 -> L2314
211 L12323: .111.1.1.1.1.
212 L12324: .1.1.1.1.1.1.
213 L12325: .1.1.1.1.1.1.
214 L12326: 111.11.11.11 -> L2346
215 L12327: .11.1.1.1.1.1.
216 L12330: .111.1.1.1.1.
217 L12331: 1.11.1.1.1.1 -> L2260
218 L12332: .111.1.1.1.1.
219 L12333: .111.1.1.1.1.
220 L12334: 1.11.1.1.1.1 -> L2260
221 L12335: .11.1.1.1.1.
222 L12336: .1.1.1.1.1.1.
223 L12337: 11.1.1.1.1.1.
224 L12340: 1.11.1.1.1.1.
225 L12341: 111.1.1.11 -> L2344
226 L12342: .1.11.1.1.1.
227 L12343: .1.1.1.1.1.1.
228 L12344: 111.1.1.1.1.
229 L12345: 1.1.11.11.11 -> L2206
230 L12346: 1.111.1.1.1.
231 L12347: 1.1.111.1.1 -> L2256
232 L12350: .111.1.1.1.1.
233 L12351: .111.1.1.1.1.
234 L12352: 1.1.111.1.1 -> L2256
235 L12353: .1.1.1.1.1.1.
236 L12354: .111.1.1.1.1.
237 L12355: 1.111.1.1.1.
238 L12356: .1.1.1.1.1.1.
239 L12357: 1111.1.1.1.1.
240 L12360: .1.1.1.1.1.1.
241 L12361: 1.1111111.

```

```

EOF : DELAYED SELECT GROUP 0
      GO TO @207
HMSD : SHIFT RIGHT C[WP]
      A + C -> C[WP]
HMSM : C -> A[WP]
      SHIFT RIGHT C[WP]
      C + C -> C[WP]
      C + C -> C[WP]
      A - C -> C[WP]
      IF S4 # 1
          THEN GO TO HMS8
      RETURN
CON1 : A - 1 -> A[X]
      IF NO CARRY GO TO CON2
      1 -> S7
      GO TO HHMS
RS10 : 12 -> P
      IF C[P] = 0
          THEN GO TO RS1
      IF S8 # 1
          THEN GO TO RS2
      0 -> S8
      GO TO EOF7
HMS8 : A + C -> A[WP]
      SHIFT RIGHT C[WP]
      IF C[WP] >= 1
          THEN GO TO HMS8
      RETURN
HMS1 : C + 1 -> C[X]
      C + 1 -> C[X]
      IF C[X] >= 1
          THEN GO TO HMS9
HMS4 : P - 1 -> P
      IF P # 0
          THEN GO TO HMS3
EHMS0 : B -> C[W]
      GO TO EHMS
HMS3 : C - 1 -> C[X]
      IF NO CARRY GO TO HMS4
HMS2 : 0 -> C[W]
      B -> C[M]
HHMS1 : IF S4 # 1
          THEN GO TO HMS5
      P + 1 -> P
      P + 1 -> P
      JSB HHMS
      P - 1 -> P
      P - 1 -> P
      JSB HHMS
      C -> A[W]
      B -> C[W]
      12 -> P
      IF A[P] >= 1
          THEN GO TO HMS6
      C - 1 -> C[X]
      SHIFT LEFT A[W]
HMS6 : A EXCHANGE C[M]
      GO TO EHMS
HMS5 : 0 -> A[W]
      JSB HHMS
      P + 1 -> P
      P + 1 -> P
      JSB HHMS
      SHIFT LEFT A[W]
      A + C -> C[W]
      0 -> A[W]
      C -> A[X]
      A + C -> A[W]
      B -> C[W]
      IF A[S] >= 1

```

242 L12362:1.111 -> L2005
 243 L12363: .111. .1. .11 -> L2344
 244 L12364:1.111
 245 L12365: . . .11.11. . .
 246 L12366: .111.11. . . .
 247 L12367: .1. . . .11. . . .
 248 L12370: .1.1. .11. . . .
 249 L12371: .1. . . .11. . . .
 250 L12372:1.11. . . .
 251 L12373:1.11. . . .
 252 L12374: . .111.11. . . .
 253 L12375: .1. . . .11. . . .
 254 L12376: . .1. . . .11. . . .
 255 L12377: . .111. .111 -> L2071

0 L13000: . .111. .111 -> L3071
 1 L13001: .1. .1. . . .11 -> L3220
 2 L13002: . .111. .111 -> L3071
 3 L13003: . .111. .111 -> L3071
 4 L13004: . .111. .111 -> L3071
 5 L13005:11111 -> L3007
 6 L13006: . .111. .111 -> L3071
 7 L13007:1.111 -> L3011
 8 L13010: . .111. .111 -> L3071
 9 L13011:11.111 -> L3015
 10 L13012: . .111. .111 -> L3071
 11 L13013: . .111. .111 -> L3071
 12 L13014: . .111. .111 -> L3071
 13 L13015: . . .1. .1.111 -> L3025
 14 L13016: . .111. .111 -> L3071
 15 L13017: .11. . . .1. . . .
 16 L13020:111 -> L3001
 17 L13021: .11.11 -> L3140
 18 L13022: . .1111. .11 -> L3074
 19 L13023: .11111.111 -> L3175
 20 L13024: .111111111 -> L3177
 21 L13025: . . .11. .111 -> L3031
 22 L13026: . .111. .111 -> L3071
 23 L13027: .1. .1.11. . . .
 24 L13030: .11. .1. .111 -> L3311
 25 L13031: . . .111.111 -> L3035
 26 L13032: .1.111 -> L3201
 27 L13033: .1111. .1.11 -> L3362
 28 L13034: .1111.1. .11 -> L3364
 29 L13035: . .1. . . .111 -> L3041
 30 L13036: . .111. .111 -> L3071
 31 L13037: .1. . . .11. . . .
 32 L13040: .11. .1. .111 -> L3311
 33 L13041: . .1. . . .1.111 -> L3045
 34 L13042: .1. . . .1. .11 -> L3210
 35 L13043: . .111. .111 -> L3071
 36 L13044: .1111.11. .11 -> L3366
 37 L13045: . .1. . . .11111 -> L3047
 38 L13046: . .111. .111 -> L3071
 39 L13047: . .1. .1. .111 -> L3051
 40 L13050: . .111. .111 -> L3071
 41 L13051: . . .1.11.111 -> L3055
 42 L13052: . .111. .111 -> L3071
 43 L13053: . .111. .111 -> L3071
 44 L13054: . .111. .111 -> L3071
 45 L13055: . .11. . .111 -> L3061
 46 L13056: . .111. .111 -> L3071
 47 L13057: .111.11. . . .
 48 L13060: .11. .1. .111 -> L3311
 49 L13061: . . .11.1.111 -> L3065
 50 L13062: . . .1.11111 -> L3027
 51 L13063: . . .1111111 -> L3037
 52 L13064: . . .1.111111 -> L3057
 53 L13065: .1. . . .11.11 -> L3246
 54 L13066: . .111. .111 -> L3071
 55 L13067: .11.1. . . .
 56 L13070: .1.111.111. . . .
 57 L13071:1111.1 -> L3017
 58 L13072: .1. . . .11. .11 -> L3214

THEN GO TO HM37
 GO TO HM06
 NO OPERATION
 GALL : LOAD CONSTANT 3
 LOAD CONSTANT 7
 LOAD CONSTANT 8
 LOAD CONSTANT 5
 LOAD CONSTANT 4
 LOAD CONSTANT 1
 LOAD CONSTANT 1
 LOAD CONSTANT 7
 LOAD CONSTANT 8
 LOAD CONSTANT 4
 GO TO OUT

 GO TO CLX2
 WAT6 : GO TO WAT5
 GO TO CLX2
 GO TO CLX2
 GO TO CLX2
 GO TO CLX2
 DEL15 : GO TO DEL14
 GO TO CLX2
 DEL14 : GO TO DEL13
 GO TO CLX2
 DEL13 : GO TO DEL12
 GO TO CLX2
 GO TO CLX2
 GO TO CLX2
 DEL12 : GO TO DEL11
 GO TO CLX2
 CLX1 : IF S6 # 1
 THEN GO TO WAT6
 GO TO STOP
 SIX : GO TO SIX1
 FIV : GO TO FIV1
 FOU : GO TO FOU1
 DEL11 : GO TO DEL10
 GO TO CLX2
 NIN1 : LOAD CONSTANT 9
 GO TO PROC
 DEL10 : GO TO DEL9
 THR : GO TO THR1
 TWO : GO TO TWO1
 ONE : GO TO ONE1
 DEL9 : GO TO DEL8
 GO TO CLX2
 EIG1 : LOAD CONSTANT 8
 GO TO PROC
 DEL8 : GO TO DEL7
 RS : GO TO RS1
 GO TO CLX2
 ZER : GO TO ZER1
 DEL7 : GO TO DEL6
 GO TO CLX2
 DEL6 : GO TO DEL5
 GO TO CLX2
 DEL5 : GO TO DEL4
 GO TO CLX2
 GO TO CLX2
 GO TO CLX2
 DEL4 : GO TO DEL3
 GO TO CLX2
 SEV1 : LOAD CONSTANT 7
 GO TO PROC
 DEL3 : GO TO DEL2
 NIN : GO TO NIN1
 EIG : GO TO EIG1
 SEV : GO TO SEV1
 DEL2 : GO TO DEL1
 GO TO CLX2
 CLX3 : 1 -> S6
 CLX : 0 -> ACW1
 CLX2 : JSB CLX1
 EEX : GO TO EEX1

```

59 L13073: 1111111111 -> L3071
60 L13074: 1111111111
61 L13075: 1111111111 -> L3311
62 L13076: 1111111111 -> L3071
63 L13077: 1111111111
64 L13100: 1111111111
65 L13101: 1111111111
66 L13102: 1111111111
67 L13103: 1111111111
68 L13104: 1111111111
69 L13105: 1111111111
70 L13106: 1111111111
71 L13107: 1111111111 -> L3104
72 L13110: 1111111111
73 L13111: 1111111111
74 L13112: 1111111111
75 L13113: 1111111111
76 L13114: 1111111111
77 L13115: 1111111111
78 L13116: 1111111111
79 L13117: 1111111111 -> L3067
80 L13120: 1111111111
81 L13121: 1111111111 -> L3351
82 L13122: 1111111111
83 L13123: 1111111111 -> L3342
84 L13124: 1111111111
85 L13125: 1111111111
86 L13126: 1111111111
87 L13127: 1111111111
88 L13130: 1111111111
89 L13131: 1111111111
90 L13132: 1111111111
91 L13133: 1111111111
92 L13134: 1111111111 -> L3067
93 L13135: 1111111111
94 L13136: 1111111111
95 L13137: 1111111111 -> L3067
96 L13140: 1111111111
97 L13141: 1111111111 -> L3370
98 L13142: 1111111111
99 L13143: 1111111111
100 L13144: 1111111111
101 L13145: 1111111111
102 L13146: 1111111111 -> L3144
103 L13147: 1111111111
104 L13150: 1111111111 -> L3203
105 L13151: 1111111111
106 L13152: 1111111111 -> L3143
107 L13153: 1111111111
108 L13154: 1111111111 -> L3222
109 L13155: 1111111111
110 L13156: 1111111111
111 L13157: 1111111111
112 L13160: 1111111111
113 L13161: 1111111111
114 L13162: 1111111111
115 L13163: 1111111111 -> L3222
116 L13164: 1111111111
117 L13165: 1111111111
118 L13166: 1111111111
119 L13167: 1111111111
120 L13170: 1111111111 -> L3157
121 L13171: 1111111111
122 L13172: 1111111111 -> L2173
123 L13173: 1111111111 -> L3375
124 L13174: 1111111111 -> L3251
125 L13175: 1111111111
126 L13176: 1111111111 -> L3311
127 L13177: 1111111111
128 L13200: 1111111111 -> L3311
129 L13201: 1111111111
130 L13202: 1111111111 -> L3311
131 L13203: 1111111111
132 L13204: 1111111111
133 L13205: 1111111111

```

```

GO TO CLX2
SIX1 : LOAD CONSTANT 6
GO TO PROC
GO TO CLX2
INIT : 0 -> B[W]
INIT9 : C -> A[W]
0 -> C[W]
C - 1 -> C[M]
8 -> P
INIT4 : LOAD CONSTANT 6
LOAD CONSTANT 0
IF P # 4
THEN GO TO INIT4
LOAD CONSTANT 0
B EXCHANGE C[M]
B -> C[M]
C + 1 -> C[S]
SHIFT RIGHT C[M]
C + 1 -> C[X]
IF A[S] >= 1
THEN GO TO CLX3
IF A[X] >= 1
THEN GO TO INIT1
A - 1 -> A[X]
IF NO CARRY GO TO INIT2
OKDP : SHIFT RIGHT A[W]
SHIFT RIGHT A[W]
SHIFT RIGHT A[W]
SHIFT RIGHT A[W]
SHIFT RIGHT A[W]
SHIFT RIGHT A[W]
7 -> P
IF A >= C[P]
THEN GO TO CLX3
5 -> P
IF A >= C[P]
THEN GO TO CLX3
STOP : 1 -> S6
JSB TSTBLK
WATS : 0 -> S8
WAT1 : 0 -> S0
WAT2 : P - 1 -> P
IF P # 11
THEN GO TO WAT2
WAT4 : IF S0 # 1
THEN GO TO WAT3
IF S8 # 1
THEN GO TO WAT1
KEYS -> ROM ADDRESS
EXIT : JSB OUT
A -> B[W]
0 -> C[P]
EXIT1 : C -> DATA ADDRESS
A EXCHANGE C[W]
DATA -> C
A EXCHANGE C[W]
JSB OUT
A EXCHANGE C[W]
C -> DATA
A EXCHANGE C[W]
C + 1 -> C[P]
IF NO CARRY GO TO EXIT1
B -> C[W]
***** DONE : SELECT ROM 2
EEX2 : JSB SEE1
GO TO STAR
FIV1 : LOAD CONSTANT 5
GO TO PROC
FOU1 : LOAD CONSTANT 4
GO TO PROC
THR1 : LOAD CONSTANT 3
GO TO PROC
WAT3 : 1 -> S8
0 -> S11
IF S11 # 1

```

```

134 L13206: .11.11.11 -> L3154
135 L13207: .11.1.1111 -> L3143
136 L13210: .11.1.1.1.
137 L13211: .11.1.1.11 -> L3140
138 L13212: .11.1.1.1.
139 L13213: .11.1.1.111 -> L3005
140 L13214: .1.1.1.111.
141 L13215: .1111.1.1.
142 L13216: .1.1.1.111.
143 L13217: .11.1.1.1.
144 L13220: .1111.1111 -> L3173
145 L13221: .11.1.1.11 -> L3140
146 L13222: .11.1.1.1.
147 L13223: .1.11.111.
148 L13224: .1.1.11111 -> L3227
149 L13225: .1.11.1.11.
150 L13226: .11.1.1.1.
151 L13227: .1.11.1.1.
152 L13230: .1.1.1.111 -> L3225
153 L13231: .11.1.11.
154 L13232: .1.1.1.1.
155 L13233: .1.1.1.1.
156 L13234: .1.1.1.111.
157 L13235: .1.1.1.111.
158 L13236: .11111.1.1.
159 L13237: .11.1.1.1.
160 L13240: .1.1.1.11.
161 L13241: .1.11.1.1.
162 L13242: .1.1.1.111 -> L3225
163 L13243: .11.11.1.1.
164 L13244: .1.1.1.1.
165 L13245: .1.1.1.11 -> L3240
166 L13246: .11.1.1.11 -> L3304
167 L13247: .1.1111.1.
168 L13250: .111.1.111.
169 L13251: .1.1.1.11.
170 L13252: .11111.1.1.
171 L13253: .1111.1.11 -> L3360
172 L13254: .1.1.1.11.
173 L13255: .11111.1.1.
174 L13256: .1.1.1.111 -> L3005
175 L13257: .1.1.1.11.
176 L13260: .11111.1.1.
177 L13261: .1.1.1.1.
178 L13262: .1.11.1.11 -> L3264
179 L13263: .1.11.1.11 -> L3031
180 L13264: .1.111.1.1.
181 L13265: .11.1.1.11.
182 L13266: .11111.1.1.
183 L13267: .1.1.1.111 -> L3045
184 L13270: .111.1.11.
185 L13271: .11011.1.1.
186 L13272: .1.1.1.1.
187 L13273: .1.1111.111 -> L3275
188 L13274: .1.11.1.111 -> L3065
189 L13275: .1.111.1.1.
190 L13276: .1.1.1.11.
191 L13277: .11111.1.1.
192 L13300: .11.111.11 -> L3334
193 L13301: .1.1.1.11.
194 L13302: .11111.1.1.
195 L13303: .11.11111.1 -> L3337
196 L13304: .111.1.1.1.
197 L13305: .11.1.1111 -> L3323
198 L13306: .1.11.1.11.
199 L13307: .1.1.1.1.
200 L13310: .1.11.1.1.
201 L13311: .1.111.1.1.
202 L13312: .111.1.111.
203 L13313: .11.1.1.1.
204 L13314: .1.1.1.1111 -> L3247
205 L13315: .1.11111.1.
206 L13316: .11.1.1.11.
207 L13317: .1.11.1.1.
208 L13320: .1.1.1.11 -> L3100

```

```

THEN GO TO EXIT
GO TO WAT1
RS1 : IF S6 # 1
      THEN GO TO STOP
START : CLEAR STATUS
      GO TO DEL15
EEX1 : B EXCHANGE C[W]
      0 - C - 1 -> C[X]
      B EXCHANGE C[W]
      IF S6 # 1
      THEN GO TO EEX2
      GO TO STOP
OUT : 12 -> P
      IF A[W] >= 1
      THEN GO TO OUT5
OUT2 : 11 -> P
      RETURN
OUT5 : IF A[P] >= 1
      THEN GO TO OUT2
      3 -> P
      SHIFT LEFT A[W]
      SHIFT LEFT A[W]
      SHIFT LEFT A[W]
      SHIFT LEFT A[W]
      A + 1 -> A[X]
      12 -> P
OUT1 : SHIFT LEFT A[M]
      IF A[P] >= 1
      THEN GO TO OUT2
      A - 1 -> A[X]
      DISPLAY OFF
      GO TO OUT1
      GO TO TEST
PROCI : C -> DATA
OHNO : A EXCHANGE C[W]
STAR : 1 -> P
      A + 1 -> A[W]
      IF NO CARRY GO TO NOCARY
      4 -> P
      A + 1 -> A[P]
      IF NO CARRY GO TO DEL15
      5 -> P
      A + 1 -> A[P]
      IF A >= C[P]
      THEN GO TO CARRY1
      GO TO DEL10
CARRY1: 0 -> A[P]
      6 -> P
      A + 1 -> A[P]
      IF NO CARRY GO TO DEL7
      7 -> P
      A + 1 -> A[P]
      IF A >= C[P]
      THEN GO TO CARRY2
      GO TO DEL2
CARRY2: 0 -> A[P]
      8 -> P
      A + 1 -> A[P]
      IF NO CARRY GO TO LOOP
      9 -> P
      A + 1 -> A[P]
      JSB OOPS
TEST : IF S7 # 1
      THEN GO TO WATR
      11 -> P
      CLEAR STATUS
      KEYS -> ROM ADDRESS
PROC : C -> DATA ADDRESS
      A EXCHANGE C[W]
      IF S6 # 1
      THEN GO TO PROC1
      DATA -> C
      12 -> P
      IF C[P] >= 1
      THEN GO TO INIT9

```

```

209 L13321: 111.1.111.
210 L13322: .11. . . . 11 -> L3140
211 L13323: . . . . 1. . 1. .
212 L13324: . . . . 1. 1. .
213 L13325: 11.11.1.11 -> L3332
214 L13326: 1. . . . 1. 1. .
215 L13327: 111. . . . 111 -> L3341
216 L13330: .111. . . . 1. .
217 L13331: . . . . . 111 -> L3001
218 L13332: 1. . . . . 1. .
219 L13333: 111. . . . 111 -> L3341
220 L13334: 1. 1. . . 11. .
221 L13335: . . . . . 111. .
222 L13336: 1. . . . 1. 11. .
223 L13337: 11. 111. 111 -> L3335
224 L13340: . . . . . 111 -> L3001
225 L13341: 111. . . . 11 -> L3340
226 L13342: 1. . . . 1. 11. .
227 L13343: 11. 11. 1. 1. .
228 L13344: . . 11. 11111 -> L3067
229 L13345: 1. 1. 1. . 11 -> L3124
230 L13346: 1. . 111. 1. 1. .
231 L13347: 111. 1. . 111 -> L3351
232 L13350: . . 111. . . 11 -> L3070
233 L13351: 1. 11. 1. 11. .
234 L13352: 11111. 1. 1. .
235 L13353: 111. . 11. 11 -> L3346
236 L13354: 1. 1. 1. . 11 -> L3124
237 L13355: 1. . . 11. 1. .
238 L13356: . . 1. . . . 11 -> L3020
239 L13357: . . . . .
240 L13360: 11111. . . . 1 -> L3370
241 L13361: . . 11. . . 111 -> L3031
242 L13362: . . 1. . . 11. .
243 L13363: 11. . 1. . 111 -> L3311
244 L13364: . . 1. 11. . .
245 L13365: 11. . 1. . 111 -> L3311
246 L13366: . . . . . 11. .
247 L13367: 11. . 1. . 111 -> L3311
248 L13370: 1. . 1. . 11. .
249 L13371: 1. . 11. . . 1. .
250 L13372: 1111111. 11 -> L3376
251 L13373: 1. . . 1. . 11. .
252 L13374: . . 1. . . . 1. .
253 L13375: . . . . 11. . . .
254 L13376: . . . . 1. . 1. .
255 L13377: 111111 111 -> L3375

```

```

A EXCHANGE C[W]
GO TO STOP
WATR : 0 -> S0
      IF S0 # 1
          THEN GO TO CLK1
      IF S8 # 1
          THEN GO TO WAT8
      1 -> S7
CLK2 : GO TO WAT6
CLK1 : 1 -> S8
WAT9 : GO TO WAT8
LOOP : 10 -> P
OVER : P - 1 -> P
      IF P # 8
          THEN GO TO OVER
OOPS :
WAT7 : GO TO WAT6
WAT8 : GO TO WAT7
INIT2 : SHIFT LEFT A[MS]
      A - 1 -> A[X]
      IF NO CARRY GO TO CLX3
      GO TO OKDP
INIT3 : IF A[MS] >= 1
          THEN GO TO INIT1
      GO TO CLX
INIT1 : SHIFT RIGHT A[MS]
      A + 1 -> A[X]
      IF NO CARRY GO TO INIT3
      GO TO OKDP
***** IN : DELAYED SELECT GROUP 0
          GO TO 0020
          NO OPERATION
NOCARY: JSB TSTBLK
          GO TO DEL10
TWO1 : LOAD CONSTANT 2
          GO TO PROC
ONE1 : LOAD CONSTANT 1
          GO TO PROC
ZER1 : LOAD CONSTANT 0
          GO TO PROC
TOTALK: 9 -> P
          IF ACP1 >= 1
              THEN GO TO SEE
BLIND : B EXCHANGE C[P]
          B -> C[P]
SEE1 : RETURN
SEE : 0 -> B[P]
      GO TO SEE1

```

I claim:

1. A programmable calculator having a program mode and a run mode comprising:

input means having keys for generating keycodes corresponding to numeric data and instruction legends denoting operations to be performed by the calculator;

a first memory unit coupled to the input means for storing generated keycodes;

a second memory unit having stored microinstructions and being coupled to the input means;

a computing unit coupled to the input means and the first and second memory units for performing operations employing microinstructions stored in the second memory unit in response to keycodes from the input means and the first memory unit when the calculator is in the run mode and for storing keycodes from the input means at data locations corresponding to program line numbers in the first memory unit when the calculator is in the program mode and being responsive to the calculator being turned on for storing selected information at all locations corresponding to program line numbers in the first memory unit; and

45 output display means coupled to the computing unit for displaying the results of operations performed by the calculator when the calculator is in the run mode and for displaying a key code corresponding to an actuated key and a number corresponding to a program line number when the calculator is in the program mode.

50 2. A programmable calculator as in claim 1 wherein the selected information corresponds to a branch instruction to a location corresponding to a selected program line number.

55 3. A programmable calculator as in claim 2 wherein the selected program line number is the program line number corresponding to the first line of a program.

60 4. A programmable calculator as in claim 3 wherein the computing unit in response to the calculator being turned on stores at said selected program line number information causing the calculator to stop performing operations, the calculator being in the run mode and the computing unit performing a plurality of operations defined by and in a sequence determined by keycodes stored in the first memory unit at locations corresponding to line numbers.

5. A programmable calculator as in claim 2 wherein one of said keys is operable when the calculator is in the run mode for causing the computing unit to perform a plurality of operations defined by and in a sequence determined by generated keycodes stored in the first memory unit at locations corresponding to program line numbers, said generated keycodes having been stored in the first memory with the calculator being in the program mode.

6. A programmable calculator as in claim 2 wherein one of said keys is operable when the calculator is in the run mode for causing the computing unit to stop performing operations in response to key codes stored in the first memory unit, said keycodes having been stored in the first memory with the calculator being in the program mode.

7. A programmable calculator as in claim 2 wherein one of said keys is operable when the calculator is in the program mode for causing the computing unit to access generated keycodes at a line number corresponding to a next following line number and for causing the output display means to display said next following line number and the keycode stored thereat.

8. A programmable calculator as in claim 2 wherein one of said keys is operable when the calculator is in the program mode for causing the computing unit to access a data location within the first memory corresponding to a next following line number and storing at said data location the keycode associated with said key.

9. A programmable calculator as in claim 2 wherein one of said keys is operable when the calculator is in the program mode for causing the computing unit to access a keycode at a line number corresponding to a next preceding line number and for causing the output display means to display said next preceding line number and the key code stored thereat.

10. A programmable calculator as in claim 2 wherein one of said keys is operable when the calculator is in the run mode for causing the computing unit to access a data location within the first memory where a line number is stored and causing the computing unit to replace said line number with a new line number in response to actuation of at least one key corresponding to the new line number.

11. A programmable calculator as in claim 2 wherein one of said keys is operable when the calculator is in the program mode for causing the computing unit to access a location within the first memory, said location being determined by further actuation of at least one of said keys corresponding to a branch instruction destination line number.

12. A programmable calculator as in claim 2 wherein one of said keys is operable when the calculator is in the program mode for causing the computing unit to access encoded information at a data location within the first memory corresponding to a next line number only if a condition corresponding to the actuated key is satisfied.

13. A calculator comprising:
 an input unit having a plurality of keys;
 an encoder unit coupled to the input unit for generating a keycode corresponding to the actuated key;
 a first memory unit coupled to the encoder unit for storing keycodes;
 a second memory unit having stored microinstructions and being coupled to the encoder unit;
 a computing unit, coupled to the encoder unit and the first and second memory units for performing operations employing microinstructions stored in the second memory unit in response to keycodes from the encoder unit and the first memory unit;
 and

output display means coupled to the computing unit for displaying the results of operations performed by the calculator in a first display format and for automatically altering the display format in response to a selected display condition to a second display format.

14. A calculator as in claim 13 wherein the first display format is a fixed decimal display format.

15. A calculator as in claim 14 wherein the fixed decimal display is determined by actuation of one of said plurality of keys followed by actuation of one of said plurality of keys corresponding to the number of digits to be displayed.

16. A calculator as in claim 13 wherein the second display format is a scientific notation format.

17. A calculator as in claim 13 wherein the second format is a flashing display.

18. A calculator as in claim 17 wherein the selected condition is an attempted illegal operation.

19. A calculator as in claim 13 wherein the selected display condition is a number to be displayed which is too large in magnitude for the first display format.

20. A calculator as in claim 13 wherein the selected display condition is a number to be displayed which is too small in magnitude for the first display format.

21. A programmable calculator comprising:
 an input unit having a plurality of keys;
 an encoder unit coupled to the input unit for generating a keycode corresponding to an actuated key;
 a first memory unit coupled to the encoder unit for storing keycodes;
 a second memory unit having stored microinstructions and being coupled to the encoder unit;
 a computing unit, coupled to the encoder unit and the first and second memory units for performing operations employing microinstructions stored in the second memory unit in response to keycodes from the encoder unit and the first memory unit and for storing keycodes from the encoder unit corresponding to a branch instruction at a data location corresponding to a single program line number in the first memory unit; and
 output display means for displaying the results of operations performed by the calculator.

* * * * *